



LEITBETRIEBE AUSTRIA

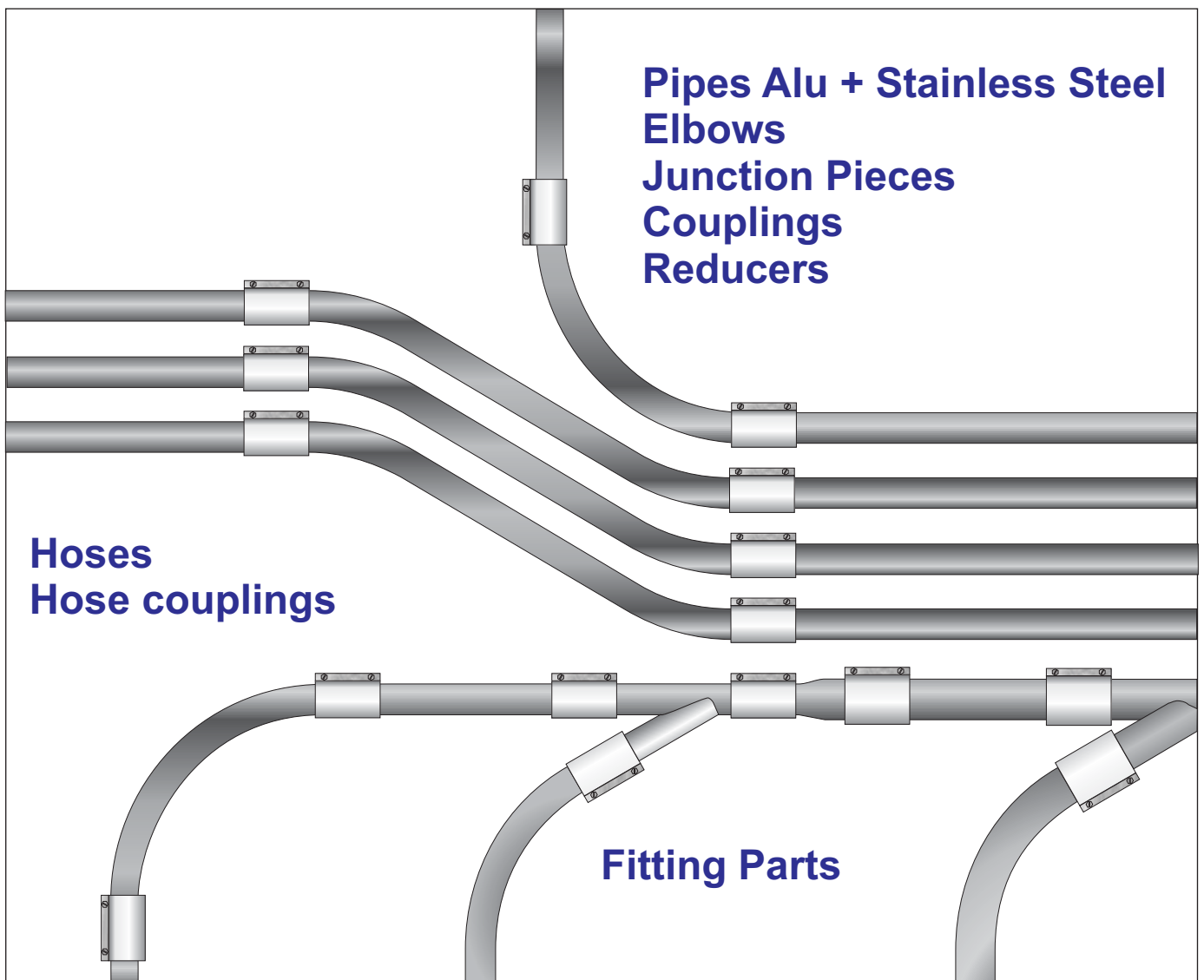
BLECHA A



WHOLESALE

Tel 0043 2635 68097 Fax 0043 2635 68096 eMail export@blecha.at <http://www.blecha.at>
Ingrid L. BLECHA Ges.m.b.H. IMPORT-EXPORT A-2620 NEUNKIRCHEN, Triftweg 102

Parts and Fittings for Conveying Systems 2011



www.blecha.at www.aluzaun.at www.aluprofil.at

Family owned company Blecha Ges.m.b.H. located in Neunkirchen (Lower-Austria) is delivering parts and fittings for granulate conveying systems since 24 years.

We directly ship from our 40.000 m² premises containing of 5 warehouses, 1 office building and 2 truck-service stations. All of our 66 employees are well trained and skilled specialists operating in sales, logistics, trade and warehouse management.

We deliver stainless steel or glass pipes and elbows, clamps and couplings and many other fittings to our customers operating in the granulate- and plastics industry.

You find a summary of these products in this catalogue but for more detailed questions or requirements for other dimensions we are at your disposal.

We currently export goods to 46 countries world-wide. Within Austria and to our neighbor countries we deliver orders with our own Blecha-trucks. We organize any transport to your destined location operating with forwarding partners and are issuing all necessary and required shipping documents for the transport.

Ingrid L. BLECHA Ges.m.b.H. IMPORT - EXPORT A-2620 NEUNKIRCHEN, Triftweg 102
Tel +43 2635 68097 Fax +43 2635 68096 e-mail export@blecha.at www.blecha.at

BLECHA 
Wholesale trade

ALUMINIUM Stock list 10/2010 Nr **43**



Round tubes, rectangular and square tubes, oval tubes, flat bars, angles, T-profiles, Z-profiles, I-beams, U-channels, round bars, square bars
page 5 - 22

 Special profiles page 23 - 28

 sheets page 29

 Pipefittings and flanges page 30 - 35

 Fittings for Granulate Conveying Systems Aluminium or Stainless Steel
page 36 - 39

The
**BLECHA Aluminium
General Catalogue**

ask for more information or
visit our web-site:

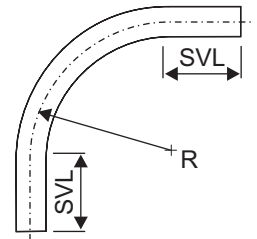
www.blecha.at

Alloy chart

EN 573-3 EN AW-		Germany DE DIN DIN, WGL, WL, VAR		Austria AT ON OENORM	United Kingdom GB BS
1*** = Al...					
EN AW-1050A	EN AW-AI99,5	AI99,5 / AI99,5R / SG-AI99,5	3.0255	AI99,5/ E-AI	1050A / 1B
EN AW-1070A	EN AW-AI99,7	AI99,7/ AI99,7R	3.0275	AI99,7	2L48
EN AW-1080A	EN AW-AI99,8(A)	AI99,8/ AI99,8R/ SG-AI99,8	3.0275	AI99,8	1080A / 1A
EN AW-1200	EN AW-AI99,0	AI99 / AI99,0	3.0205	AI99	1C
EN AW-1350A	EN AW-EAI99,5	E-AI	3.0257	-	1E
2***= AlCu...					
EN AW-2007	EN AW-AlCu4PbMgMn	AlCuMgPb	3.1645	-	-
EN AW-2011	EN AW-AlCu6BiPb	AlCuBiPb	3.1655	AlCuBiPb	FC1
EN AW-2014	EN AW-AlCu4SiMg	3.1254 / AlCu4,5Si0,9Mn0,8Mg / AlCuSiMn	3.1255	AlCuSiMn	H15
EN AW-2017A	EN AW-AlCu4MgSi(A)	AlCuMg1/ AlCu4Mg1	3.1325	AlCuMg1	H14
EN AW-2024	EN AW-AlCu4Mg1	AlCuMg2/ 3.1354 / AlCu4,4Mg1,5Mn	3.1355	AlCuMg2	L97 L98
EN AW-2030	EN AW-AlCu4PbMg	~ AlCuMgPb	-	-	7L25
EN AW-2117	EN AW-AlCu2,5Mg	3.1124 / AlCu2,5Mg2,5 / AlCu2,6Mg	3.1305	AlCu2,5Mg0,5	L86
EN AW-2618	-	AlCu2MgNi	3.1924	-	-
EN AW-2618A	EN AW-AlCu2Mg1,5Ni	-	-	-	H16
3***= AlMn...					
EN AW-3003	EN AW-AlMn1Cu	AlMnCu	3.0517	AlMnCu	-
EN AW-3004	EN AW-AlMn1Mg1	AlMn1Mg1	3.0526	AlMn1Mg1	-
EN AW-3005	EN AW-AlMn1Mg0,5	AlMn1Mg0,5	3.0526	AlMn1Mg0,5	-
EN AW-3103	EN AW-AlMn1	AlMn1/ SG-AlMn1	3.0515	AlMn	3103 / N3
EN AW-3105	EN AW-AlMn0,5Mg0,5	AlMg0,5Mg0,6	3.0505	-	N31
5***= AlMg...					
EN AW-5005	EN AW-AlMg1	AlMg1	3.3315	-	N41
EN AW-5019	EN AW-AlMg5	AlMg5	3.3354	AlMg5	N6 / Grade AL 1
EN AW-5056A	EN AW-AlMg5	SG-AlMg5		-	5056A
EN AW-5050	EN AW-AlMg1,5(C)	AlMg1,5	-	-	3L44
EN AW-5052	EN AW-AlMg2,5	3.3524 / AlMg2,5 / AlMg2,5Cr	3.3524	AlMg2,5	L80 L81
EN AW-5083	EN AW-AlMg4,5Mn	AlMg4,5Mn	3.3547	AlMg4,5Mn	N8
EN AW-5086	EN AW-AlMg4	AlMg4Mn	3.3545	-	-
EN AW-5251	EN AW-AlMg2	AlMg2/ AlMg2Mn0,3	3.3525	-	N4
EN AW-5454	EN AW-AlMg3Mn	AlMg2,7Mn	3.3537	-	N51
EN AW-5754	EN AW-AlMg3	AlMg3/ SG-AlMg3	3.3535	AlMg3	-
6***= AlMgSi...					
EN AW-6005A	EN AW-AlSiMg(A)	AlMgSi0,7	3.3210	-	-
EN AW-6012	EN AW-AlMgSiPb	AlMgSiPb	3.0615	AlMgSiPb	-
EN AW-6060	EN AW-AlMgSi	AlMgSi0,5	3.3206	AlMgSi0,5	-
EN AW-6061	EN AW-AlMg1SiCu	AlMg1SiCu/AlMg1SiCuCr	3.3214	-	H20
EN AW-6063	EN AW-AlMg0,7Si	AlMgSi0,5	-	-	H9
EN AW-6082	EN AW-AlSi1MgMn	AlMgSi1	3.2315	AlMgSi1	H30
EN AW-6101B	EN AW-EAlSiMg(B)	E-AlMgSi0,5	3.3207	-	-
7***= AlZn...					
EN AW-7020	EN AW-AlZn4,5Mg1	AlZn4,5Mg1	3.4335	AlZn4,5Mg1	H17
EN AW-7022	EN AW-AlZn5Mg3Cu	AlZnMgCu0,5	3.4345	-	-
EN AW-7075	EN AW-AlZn5,5MgCu	3.4364/ AlZnMgCu1,5/ AlZn5,6Mg2,5Cu1,6Cr	3.4364	AlZnMgCu1,5	-

D x S	Radius	deg.	SVL mm	D x S	Radius	deg.	SVL mm
38 x 2	300	90	100 - 200	50 x 2	300	90	100 - 200
38 x 2	380	90	100 - 200	50 x 2	500	90	100 - 200
38 x 2	500	90	100 - 200	50 x 2	800	90	100 - 200
38 x 2	800	90	100 - 200	50 x 2	1000	90	100 - 200
38 x 2	1000	90	100 - 200	50 x 2	300	45	100 - 200
38 x 2	300	45	100 - 200	50 x 2	500	45	100 - 200
38 x 2	380	45	100 - 200	50 x 2	800	45	100 - 200
38 x 2	500	45	100 - 200	50 x 2	1000	45	100 - 200
38 x 2	800	45	100 - 200	60 x 2	300	90	100 - 200
38 x 2	1000	45	100 - 200	60 x 2	500	90	100 - 200
40 x 2	300	90	100 - 200	60 x 2	800	90	100 - 200
40 x 2	380	90	100 - 200	60 x 2	1000	90	100 - 200
40 x 2	500	90	100 - 200	60 x 2	300	45	100 - 200
40 x 2	800	90	100 - 200	60 x 2	500	45	100 - 200
40 x 2	1000	90	100 - 200	60 x 2	800	45	100 - 200
40 x 2	300	45	100 - 200	60 x 2	1000	45	100 - 200
40 x 2	380	45	100 - 200				
40 x 2	500	45	100 - 200				
40 x 2	800	45	100 - 200				
40 x 2	1000	45	100 - 200				
45 x 2	300	90	100 - 200				
45 x 2	500	90	100 - 200				
45 x 2	800	90	100 - 200				
45 x 2	1000	90	100 - 200				
45 x 2	300	45	100 - 200				
45 x 2	500	45	100 - 200				
45 x 2	800	45	100 - 200				
45 x 2	1000	45	100 - 200				

Elbows Aluminium EN AW-6060



Elbows Borosilicate Glass

all dimensions incl. matching
reduced couplings available

all listed dimensions available in 30 and 60 degrees other dimensions on request

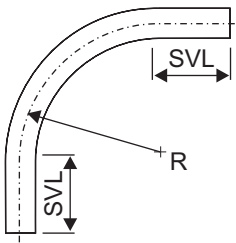
Cuts possible from now on

We cut profiles
on customer's requests
...ranging from small quantities
to mass production...

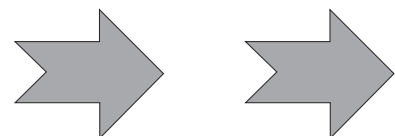
NEW:
We are able to provide you
with cuts on commission



Elbows Stainless Steel 1.4301

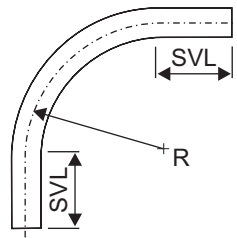


D	x S	Radius	deg.	SVL mm	D	x S	Radius	deg.	SVL mm
38	x 1,5	100	90	100 - 100	50	x 2,0	1000	90	200 - 200
38	x 1,5	250	90	100 - 100	50	x 2,0	250	45	200 - 200
38	x 1,5	500	90	100 - 200	50	x 2,0	500	45	200 - 200
38	x 1,5	800	90	100 - 200	50	x 2,0	800	45	200 - 200
38	x 1,5	1000	90	100 - 200	50	x 2,0	1000	45	200 - 200
38	x 1,5	100	45	100 - 100	60	x 2,0	120	90	100 - 100
38	x 1,5	250	45	100 - 200	60	x 2,0	250	90	100 - 200
38	x 1,5	500	45	100 - 200	60	x 2,0	500	90	100 - 200
38	x 1,5	800	45	100 - 200	60	x 2,0	800	90	100 - 200
38	x 1,5	1000	45	100 - 200	60	x 2,0	1000	90	100 - 200
40	x 1,5	80	90	100 - 100	60	x 2,0	120	45	100 - 100
40	x 1,5	250	90	100 - 100	60	x 2,0	250	45	100 - 200
40	x 1,5	380	90	100 - 200	60	x 2,0	500	45	100 - 200
40	x 1,5	500	90	100 - 200	60	x 2,0	800	45	100 - 200
40	x 1,5	800	90	100 - 200	60	x 2,0	1000	45	100 - 200
40	x 1,5	1000	90	100 - 200	65	x 2,0	115	90	150 - 150
40	x 1,5	80	45	100 - 100	65	x 2,0	250	90	200 - 200
40	x 1,5	250	45	100 - 100	65	x 2,0	500	90	200 - 200
40	x 1,5	380	45	100 - 200	65	x 2,0	800	90	200 - 200
40	x 1,5	500	45	100 - 200	65	x 2,0	1000	90	200 - 200
40	x 1,5	800	45	100 - 200	65	x 2,0	115	45	150 - 150
40	x 1,5	1000	45	100 - 200	65	x 2,0	250	45	200 - 200
45	x 1,5	75	90	100 - 100	65	x 2,0	500	45	200 - 200
45	x 1,5	100	90	50 - 50	65	x 2,0	800	45	200 - 200
45	x 1,5	300	90	100 - 200	65	x 2,0	1000	45	200 - 200
45	x 1,5	500	90	100 - 200	70	x 2,0	250	90	200 - 200
45	x 1,5	75	45	100 - 100	70	x 2,0	500	90	200 - 200
45	x 1,5	100	45	50 - 50	70	x 2,0	800	90	200 - 200
45	x 1,5	300	45	100 - 200	70	x 2,0	1000	90	200 - 200
45	x 1,5	500	45	100 - 200	70	x 2,0	250	45	200 - 200
50	x 1,5	75	90	100 - 100	70	x 2,0	500	45	200 - 200
50	x 1,5	150	90	100 - 100	70	x 2,0	800	45	200 - 200
50	x 1,5	250	90	100 - 100	70	x 2,0	1000	45	100 - 200
50	x 1,5	500	90	100 - 200	76,1	x 2,0	250	90	200 - 200
50	x 1,5	800	90	100 - 200	76,1	x 2,0	500	90	200 - 200
50	x 1,5	1000	90	100 - 200	76,1	x 2,0	800	90	200 - 200
50	x 1,5	75	45	100 - 100	76,1	x 2,0	1000	90	200 - 200
50	x 1,5	150	45	100 - 100	76,1	x 2,0	250	45	200 - 200
50	x 1,5	250	45	100 - 100	76,1	x 2,0	500	45	200 - 200
50	x 1,5	500	45	100 - 200					
50	x 1,5	800	45	100 - 200					
50	x 1,5	1000	45	100 - 200					
50	x 2,0	250	90	200 - 200					
50	x 2,0	500	90	200 - 200					
50	x 2,0	800	90	200 - 200					



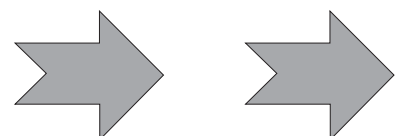
all listed dimensions available in 30 and 60 degrees
 other dimensions on request

Elbows Stainless Steel 1.4301



D	x	S	Radius	deg.	SVL mm	D	x	S	Radius	deg.	SVL mm
76,1	x	2,0	800	45	200 - 200	101,6	x	2,0	500	45	200 - 200
76,1	x	2,0	1000	45	200 - 200	101,6	x	2,0	800	45	200 - 200
80	x	2,0	150	90	200 - 200	101,6	x	2,0	1000	45	200 - 200
80	x	2,0	500	90	200 - 200	104	x	2,0	150	90	200 - 200
80	x	2,0	800	90	200 - 200	104	x	2,0	500	90	200 - 200
80	x	2,0	1000	90	200 - 200	104	x	2,0	800	90	200 - 200
80	x	2,0	150	45	200 - 200	104	x	2,0	1000	90	200 - 200
80	x	2,0	500	45	200 - 200	104	x	2,0	150	45	200 - 200
80	x	2,0	800	45	200 - 200	104	x	2,0	500	45	200 - 200
80	x	2,0	1000	45	200 - 200	104	x	2,0	800	45	200 - 200
84	x	2,0	150	90	200 - 200	104	x	2,0	1000	45	200 - 200
84	x	2,0	500	90	200 - 200	114,3	x	2,0	150	90	200 - 200
84	x	2,0	800	90	200 - 200	114,3	x	2,0	500	90	200 - 200
84	x	2,0	1000	90	200 - 200	114,3	x	2,0	800	90	200 - 200
84	x	2,0	150	45	200 - 200	114,3	x	2,0	1000	90	200 - 200
84	x	2,0	500	45	200 - 200	114,3	x	2,0	150	45	200 - 200
84	x	2,0	800	45	200 - 200	114,3	x	2,0	500	45	200 - 200
84	x	2,0	1000	45	200 - 200	114,3	x	2,0	800	45	200 - 200
88,9	x	2,0	250	90	200 - 200	114,3	x	2,0	1000	45	200 - 200
88,9	x	2,0	500	90	200 - 200	129	x	2,0	500	90	200 - 200
88,9	x	2,0	800	90	200 - 200	129	x	2,0	800	90	200 - 200
88,9	x	2,0	1000	90	200 - 200	129	x	2,0	1000	90	200 - 200
88,9	x	2,0	250	45	200 - 200	129	x	2,0	500	45	200 - 200
88,9	x	2,0	500	45	200 - 200	129	x	2,0	800	45	200 - 200
88,9	x	2,0	800	45	200 - 200	129	x	2,0	1000	45	200 - 200
88,9	x	2,0	1000	45	200 - 200	154	x	2,0	500	90	200 - 200
101,6	x	2,0	500	90	200 - 200	154	x	2,0	1000	90	150 - 200
101,6	x	2,0	800	90	200 - 200	154	x	2,0	500	45	200 - 200
101,6	x	2,0	1000	90	200 - 200	154	x	2,0	1000	45	150 - 200

all listed dimensions available in 30 and 60 degrees
 other dimensions on request



This is the STOCKLIST. Subject prior sale.
 Other dimensions on request.



Hose Coupling



System STORZ
 LIGHT METAL




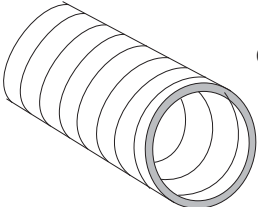
Adapter with female thread

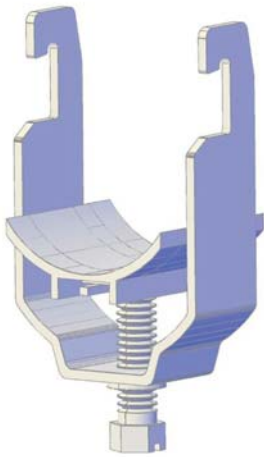


Adapter with male thread



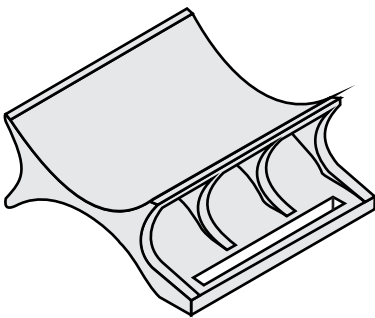
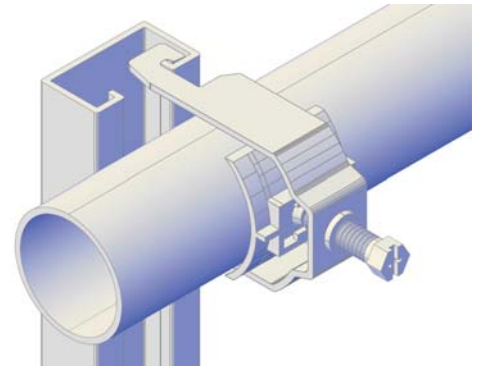
Caps

<p>Hose coupling</p> <ul style="list-style-type: none"> A - clearance 100 mm B - clearance 60 mm B - clearance 75 mm C - clearance 40 mm C - clearance 45 mm C - clearance 50 mm C - clearance 52 mm C - Ø 50 mm (with security collar) 	<p>Adapter</p> <ul style="list-style-type: none"> A - 4 " female thread B - 2 ½ " female thread B - 3 " female thread C - 2 " female thread
<p>Caps</p> <ul style="list-style-type: none"> A DIN 14313 B DIN 14312 C DIN 14311 	<p>Tube connecting piece for adapter fits on tube OD 40, 45, 50 and 60</p> 
<p>Hose with steel spiral</p>  <ul style="list-style-type: none"> 20 mm 38 mm 40 mm clearance 45 mm 50 mm 60 mm 70 mm 100 mm 	<p>Coupling spanner with plastic handle DIN 14822</p> <hr/> <p>Reducer Storz/Storz DIN 14343 A/B</p>

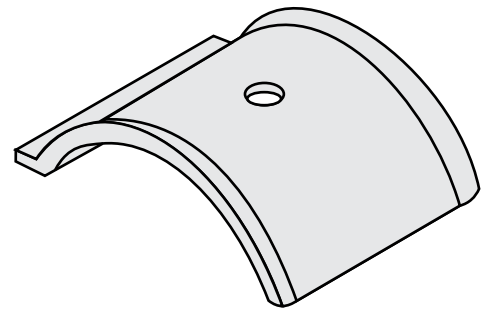


Clamps for tube galvanized iron

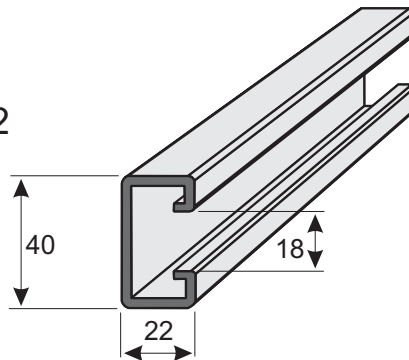
- Size:
- 34 - 40
 - 40 - 46
 - 46 - 52
 - 50 - 54
 - 52 - 58
 - 58 - 64
 - 34 - 40 double
 - 46 - 52 double



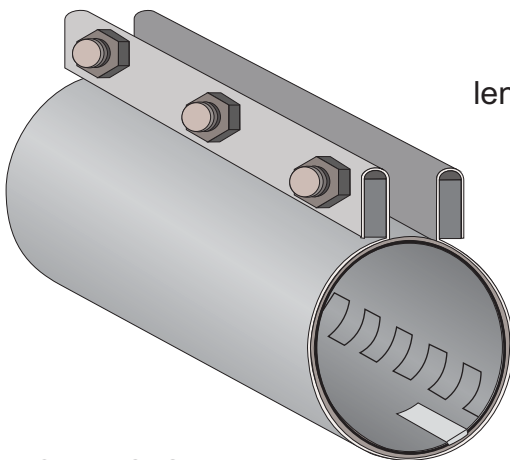
DOUBLE PRESSURE SLEEVE Dw52
 Polypropylene, light grey
 non-halogen
 clamping range 46 – 52 mm



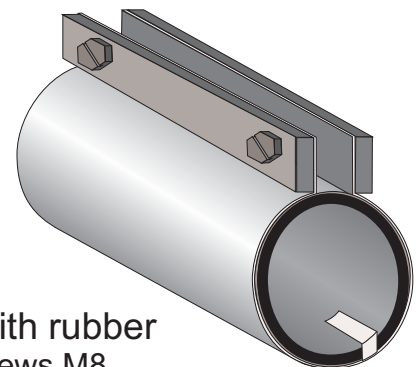
OPPOSITE PRESSURE SLEEVE GW52
 Polypropylene, light grey
 non-halogen
 clamping range 46 – 52 mm



C-Profile for wall fixture 40 x 22
 A8 perforated
 hole 18 mm
 galvanized iron
 length 6 m or length 2 m



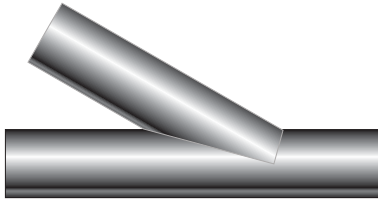
MORRIS Coupling
 galvanized iron
 white rubber
 on request



Coupling with rubber
 2 or 3 screws M8
 Coat 1.4016 or aluminium
 rubber EPDM
 with earth wire
 L= 100 to 200 mm

available for tubes OD 38 mm to 154 mm
 (on request available with red and white rubber-sealing)

**Junction Piece
 Stainless Steel
 1.4301**

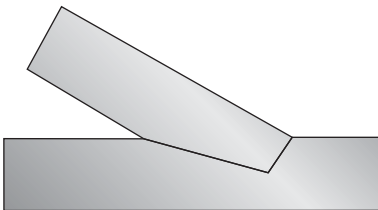


Tube: inside abraded
 Finish: outside stained
 inside clean grinded

D	x	S	deg.
38,0	x	1,5	45
38,0	x	1,5	30
40,0	x	1,5	45
40,0	x	1,5	30
45,0	x	1,5	45
45,0	x	1,5	30
50,0	x	2,0	45
50,0	x	2,0	30
54,0	x	2,0	45
54,0	x	2,0	30
60,0	x	2,0	45
60,0	x	2,0	30
65,0	x	2,0	30
65,0	x	2,0	45

larger dimensions on request

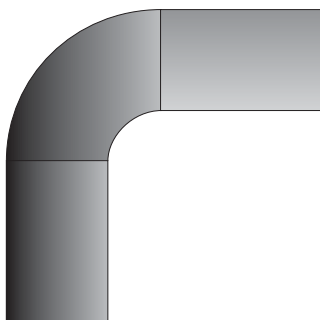
**Junction Piece
 Aluminium
 EN AW-6060**



Finish: inside clean grinded

D	x	S	deg.
38,0	x	1,5	45
38,0	x	1,5	30
40,0	x	1,5	45
40,0	x	1,5	30
45,0	x	1,5	45
45,0	x	1,5	30
50,0	x	2,0	45
50,0	x	2,0	30
54,0	x	2,0	45
54,0	x	2,0	30
60,0	x	2,0	45
60,0	x	2,0	30
65,0	x	2,0	30
65,0	x	2,0	45

larger dimensions on request



**Elbow 90°
 1.4301**

on request

**Reducer
 1.4301**

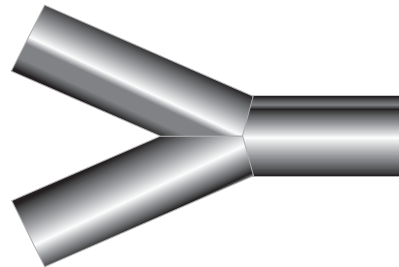
on request



reduced junction pieces or T-pieces available on request

Y-Piece Stainless Steel 1.4301

D	x	S	deg.
38,0	x	1,5	45
40,0	x	1,5	45
45,0	x	1,5	45
50,0	x	2,0	45
54,0	x	2,0	45
60,0	x	2,0	45
65,0	x	2,0	45

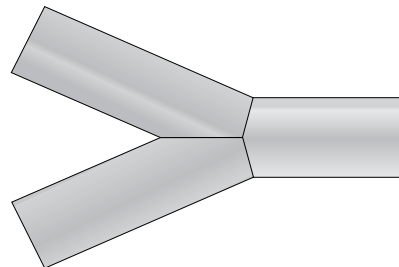


Type 30° or larger dimensions
on request

Tube: inside abraded
Finish: outside stained
inside clean grinded

Y-Piece Aluminium EN AW-6060

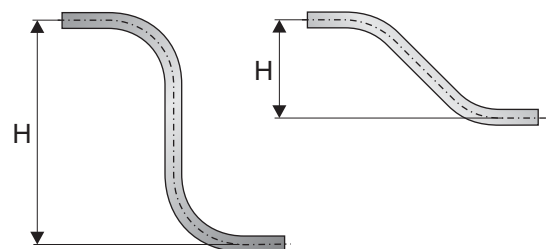
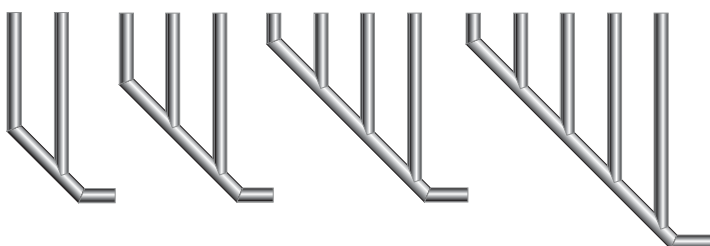
D	x	S	deg.
38,0	x	1,5	45
40,0	x	1,5	45
45,0	x	1,5	45
50,0	x	2,0	45
54,0	x	2,0	45
60,0	x	2,0	45
65,0	x	2,0	45



larger dimensions on request

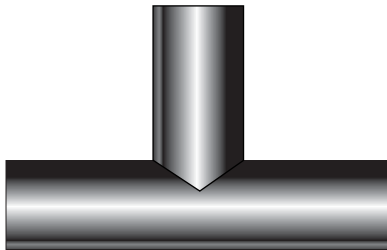
Finish: inside clean grinded

Other dimensions and special productions available on request



Tiered elbow according
to drawing

T-Piece equal Stainless Steel 1.4301

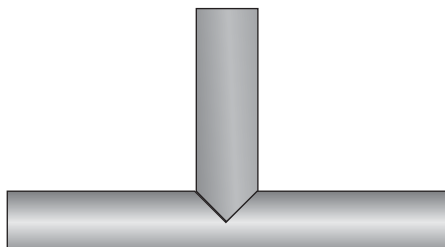


D	x	S
38,0	x	1,5
40,0	x	1,5
45,0	x	1,5
50,0	x	2,0
54,0	x	2,0
60,0	x	2,0
65,0	x	2,0

Tube: inside abraded
Finish: outside stained
inside clean grinded

larger dimensions on request

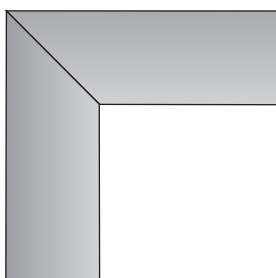
T-Piece equal Aluminium EN AW-6060



D	x	S
38,0	x	1,5
40,0	x	1,5
45,0	x	1,5
50,0	x	2,0
54,0	x	2,0
60,0	x	2,0
65,0	x	2,0

Finish: inside clean grinded

larger dimensions on request



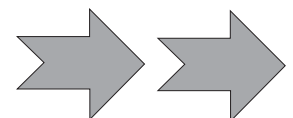
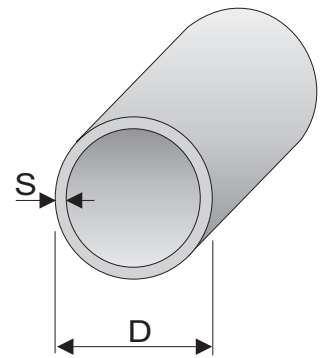
Bevel-Elbow
Aluminium or stainless steel on request

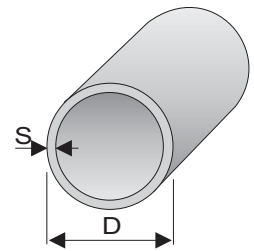
Length: 6000 mm Alloy: EN AW-6060 T66 (AlMgSi 0,5 F22)

D	x	S	kg/m	D	x	S	kg/m
RR 6	x	1	0,043	RR 24	x	1,5	0,287
RR 6	x	1,5	0,057	RR 24	x	2	0,374
RR 7	x	1	0,051	RR 25	x	1	0,204
RR 8	x	1	0,060	RR 25	x	1,5	0,300
RR 8	x	1,5	0,083	RR 25	x	2	0,391
RR 8	x	2	0,102	RR 25	x	2,5	0,478
RR 8	x	2,5	0,117	RR 25	x	3	0,561
RR 9	x	1	0,068	RR 25	x	3,5	0,640
RR 10	x	1	0,077	RR 25	x	5	0,850
RR 10	x	1,5	0,108	RR 25	x	6	0,969
RR 10	x	2	0,136	RR 26	x	1,5	0,312
RR 10	x	2,5	0,159	RR 26,9	x	2,5	0,519
RR 10	x	3	0,179	RR 27	x	6	1,071
RR 12	x	1	0,094	RR 28	x	1,5	0,338
RR 12	x	1,5	0,134	RR 28	x	2	0,442
RR 12	x	2	0,170	RR 28	x	2,5	0,542
RR 13	x	1,5	0,147	RR 28	x	3	0,638
RR 13	x	2	0,187	RR 28	x	4	0,816
RR 14	x	1	0,111	RR 28	x	5	0,978
RR 14	x	2	0,204	RR 30	x	1	0,247
RR 14	x	3	0,281	RR 30	x	1,5	0,363
RR 15	x	1	0,119	RR 30	x	2	0,476
RR 15	x	1,5	0,172	RR 30	x	2,5	0,584
RR 15	x	2	0,221	RR 30	x	3	0,689
RR 15	x	2,5	0,266	RR 30	x	4	0,884
RR 16	x	1	0,128	RR 30	x	5	1,063
RR 16	x	1,5	0,185	RR 30	x	7,5	1,434
RR 16	x	2	0,238	RR 31	x	2,5	0,606
RR 16	x	2,5	0,287	RR 32	x	1	0,264
RR 16	x	3	0,332	RR 32	x	1,5	0,389
RR 16	x	4	0,408	RR 32	x	2	0,510
RR 16	x	5	0,468	RR 32	x	3	0,740
RR 18	x	1	0,145	RR 32	x	5	1,148
RR 18	x	1,5	0,210	RR 33,7	x	3	0,783
RR 18	x	2	0,272	RR 34	x	2	0,544
RR 18	x	3	0,383	RR 34	x	4	1,020
RR 19	x	1	0,153	RR 35	x	1	0,289
RR 19	x	1,5	0,223	RR 35	x	1,5	0,427
RR 20	x	1	0,162	RR 35	x	2	0,561
RR 20	x	1,2	0,192	RR 35	x	2,5	0,691
RR 20	x	1,5	0,236	RR 35	x	3	0,816
RR 20	x	2	0,306	RR 35	x	4	1,054
RR 20	x	2,5	0,372	RR 35	x	5	1,275
RR 20	x	3	0,434	RR 35	x	5,5	1,379
RR 20	x	4	0,544	RR 36	x	2	0,578
RR 20	x	5	0,638	RR 36	x	6	1,530
RR 21	x	2	0,323	RR 38	x	1,5	0,465
RR 21	x	3	0,459	RR 38	x	3	0,893
RR 22	x	1	0,179	RR 38	x	4	1,156
RR 22	x	1,5	0,261	RR 38	x	5	1,403
RR 22	x	2	0,340	RR 40	x	1	0,332
RR 22	x	2,5	0,414	RR 40	x	1,5	0,491
RR 22	x	3	0,485	RR 40	x	2	0,646
RR 23	x	1,5	0,274	RR 40	x	2,5	0,797

more on next page

Round tubes





Round Tubes

D	x	S	kg/m	D	x	S	kg/m	D	x	S	kg/m
RR 40	x	3	0,942	RR 58	x	3	1,400	RR 75	x	3	1,832
RR 40	x	4	1,221	RR 60	x	1	0,500	RR 75	x	5	2,969
RR 40	x	5	1,484	RR 60	x	1,5	0,744	RR 75	x	10	5,513
RR 40	x	5 (8m)	1,484	RR 60	x	1,5 (6,5m)	0,744	RR 76	x	2	1,255
RR 40	x	5 (10m)	1,484	RR 60	x	2,0 (0,5m)	0,984	RR 76	x	2,5	1,559
RR 40	x	8	2,171	RR 60	x	2 (2,5m)	0,984	RR 76	x	3 (3m)	1,858
RR 40	x	10	2,545	RR 60	x	2 (3m)	0,984	RR 76	x	3 (6m)	1,858
RR 42	x	1,5	0,515	RR 60	x	2 (3,5m)	0,984	RR 76	x	3 (7m)	1,858
RR 42	x	2	0,679	RR 60	x	2 (6m)	0,984	RR 76	x	4	2,443
RR 42	x	2,5	0,838	RR 60	x	2 (7m)	0,984	RR 78	x	5	3,096
RR 42	x	3	0,992	RR 60	x	2,5	1,219	RR 80	x	1,5	0,999
RR 42	x	3,5	1,143	RR 60	x	3,0 (0,5m)	1,450	RR 80	x	2	1,323
RR 42	x	4	1,289	RR 60	x	3 (2,5m)	1,450	RR 80	x	2,5	1,643
RR 42	x	5	1,569	RR 60	x	3 (3m)	1,450	RR 80	x	3	1,959
RR 42	x	6	1,832	RR 60	x	3 (3,5m)	1,450	RR 80	x	4	2,579
RR 42,4	x	2,8	0,940	RR 60	x	3 (4m)	1,450	RR 80	x	5	3,181
RR 45	x	1,5	0,553	RR 60	x	3 (6m)	1,450	RR 80	x	6	3,766
RR 45	x	2	0,729	RR 60	x	3 (7m)	1,450	RR 80	x	8	4,886
RR 45	x	2,5	0,901	RR 60	x	3 (8m)	1,450	RR 80	x	10	5,937
RR 45	x	3	1,069	RR 60	x	4	1,900	RR 80	x	10 (9m)	5,937
RR 45	x	5	1,696	RR 60	x	5	2,333	RR 80	x	15	8,270
RR 45	x	7,5	2,386	RR 60	x	6	2,748	RR 84	x	2	1,391
RR 46	x	3	1,094	RR 60	x	10	4,241	RR 85	x	3	2,087
RR 48	x	2	0,780	RR 60	x	11	4,572	RR 85	x	5	3,393
RR 48	x	2 (7m)	0,780	RR 60	x	15	5,725	RR 86	x	3	2,112
RR 48	x	2,5	0,965	RR 60	x	20	6,786	RR 89	x	2	1,476
RR 48	x	3	1,145	RR 62	x	2	1,018	RR 89	x	3	2,188
RR 48	x	3 (7m)	1,145	RR 63	x	1,5	0,782	RR 90	x	1,5	1,126
RR 48	x	4	1,493	RR 63	x	3	1,527	RR 90	x	2	1,493
RR 48	x	5	1,824	RR 63	x	8	3,732	RR 90	x	3 (6m)	2,214
RR 48,3	x	4,05	1,520	RR 65	x	1,7	0,913	RR 90	x	3 (7m)	2,214
RR 48,3	x	6	2,153	RR 65	x	2	1,069	RR 90	x	4	2,918
RR 50	x	1	0,416	RR 65	x	2,5	1,325	RR 90	x	5	3,605
RR 50	x	1,5	0,617	RR 65	x	4	2,070	RR 90	x	6	4,275
RR 50	x	2	0,814	RR 65	x	5	2,545	RR 90	x	10	6,786
RR 50	x	2,5	1,007	RR 66	x	2,5	1,347	RR 90	x	15 (3m)	9,542
RR 50	x	3	1,196	RR 66	x	3	1,603	RR 90	x	20	11,875
RR 50	x	3 T4	1,196	RR 70	x	2	1,154	RR 90	x	25 (3m)	13,783
RR 50	x	3,5	1,380	RR 70	x	2,5	1,431	RR 90	x	25 (6m)	13,783
RR 50	x	4	1,561	RR 70	x	3	1,705	RR 95	x	2,5	1,961
RR 50	x	5	1,908	RR 70	x	4	2,239	RR 96	x	14,5	10,024
RR 50	x	8	2,850	RR 70	x	5	2,757	RR 100	x	1,5	1,253
RR 50	x	10	3,393	RR 70	x	7	3,741	RR 100	x	2	1,662
RR 54	x	2	0,882	RR 70	x	10	5,089	RR 100	x	2,5	2,067
RR 55	x	2	0,899	RR 70	x	15	6,998	RR 100	x	3 (6m)	2,468
RR 55	x	2,5	1,113	RR 72	x	4	2,307	RR 100	x	4 (6m)	3,257
RR 55	x	5	2,121	RR 75	x	2	1,238	RR 100	x	4 (8m)	3,257
RR 56	x	3	1,349	RR 75	x	2,5	1,537	RR 100	x	5	4,029
								RR 100	x	5 (12m)	4,029

more on next page

Length: 6m

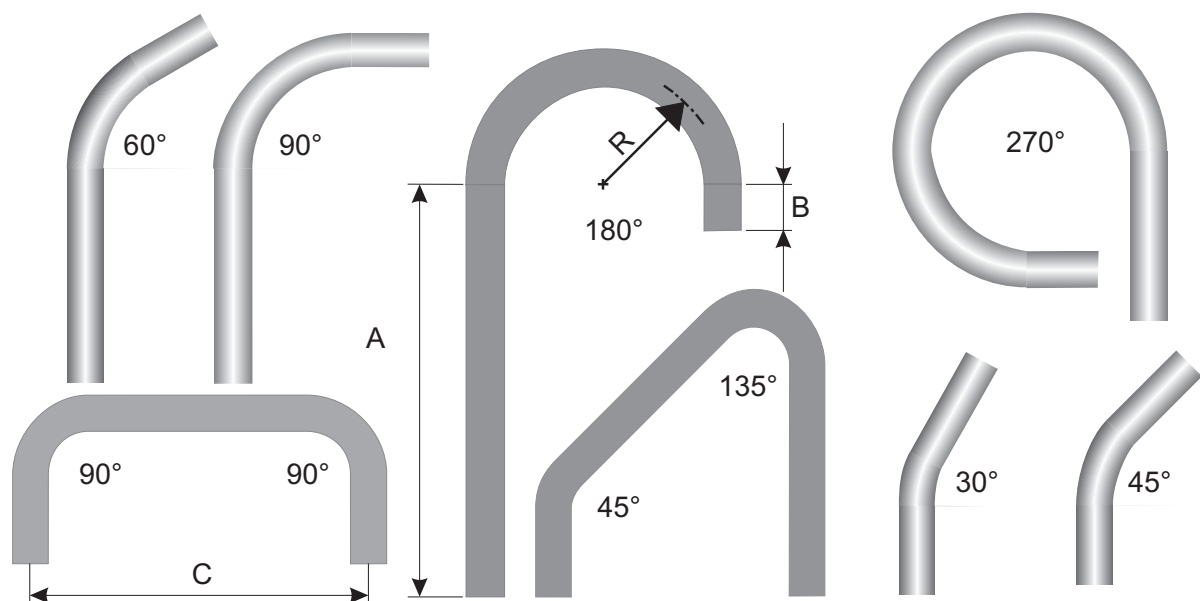
Alloy: EN AW-6060 T66 (AlMgSi 0,5 F22)

Round Tubes

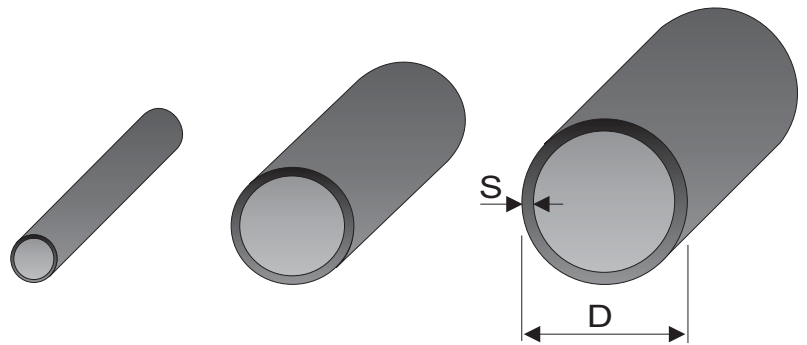
D	x	S	kg/m	D	x	S	kg/m	D	x	S	kg/m
RR 100	x	6	4,784	RR 125	x	10	9,754	RR 180	x	5	7,422
RR 100	x	8	6,243	RR 130	x	2	2,171	RR 180	x	5 (10m)	7,422
RR 100	x	10	7,634	RR 130	x	2,5	2,704	RR 180	x	20 (5m)	27,142
RR 100	x	15	10,815	RR 130	x	3	3,232	RR 190	x	3	4,758
RR 100	x	20	13,571	RR 130	x	5	5,301	RR 200	x	3	5,013
RR 105	x	2,5	2,174	RR 130	x	10	10,178	RR 200	x	3 (10m)	5,013
RR 105	x	2,5 T4	2,174	RR 130	x	15	14,631	RR 200	x	3 (11m)	5,013
RR 106	x	3	2,621	RR 133	x	3	3,308	RR 200	x	3 (12,1m)	5,013
RR 108	x	2,5	2,237	RR 133	x	4	4,377	RR 200	x	5	8,270
RR 108	x	3	2,672	RR 140	x	3	3,486	RR 200	x	8 (2,5m)	13,028
RR 108	x	3 (10m)	2,672	RR 140	x	4	4,614	RR 200	x	8	13,028
RR 108	x	4	3,529	RR 140	x	5	5,725	RR 206	x	3	5,166
RR 108	x	5	4,368	RR 140	x	10	11,027	RR 208	x	4	6,921
RR 110	x	2,5	2,280	RR 150	x	2	2,511	RR 210	x	5	8,694
RR 110	x	3	2,723	RR 150	x	3	3,741	RR 219	x	4	7,295
RR 110	x	5	4,453	RR 150	x	5	6,149	RR 219	x	4 (12m)	7,295
RR 110	x	10	8,482	RR 150	x	10	11,875	RR 220	x	5	9,118
RR 114,3	x	3	2,832	RR 150	x	10 (3m)	11,875	RR 230	x	5	9,542
RR 114,3	x	6	5,512	RR 156	x	3	3,893	RR 240	x	5	9,966
RR 115	x	5	4,665	RR 160	x	2	2,680	RR 250	x	5	10,390
RR 120	x	2	2,002	RR 160	x	3	3,995	RR 250	x	5 (10m)	10,390
RR 120	x	2 (5,95m)	2,002	RR 160	x	3 (8m)	3,995	RR 250	x	5 (11m)	10,390
RR 120	x	3	2,977	RR 160	x	3 (12m)	3,995	RR 260	x	5	10,815
RR 120	x	4	3,936	RR 160	x	4	5,293	RR 273	x	4,5	10,248
RR 120	x	5	4,877	RR 160	x	5	6,574	RR 273	x	5 (12m)	11,366
RR 120	x	8	7,600	RR 160	x	10	12,723	RR 300	x	4	10,043
RR 120	x	10	9,330	RR 168	x	3,4	4,747	RR 300	x	4 (12m)	10,043
RR 120	x	15	13,359	RR 170	x	2,5	3,552	RR 300	x	8 (6,05m)	19,814
RR 125	x	2,5	2,598	RR 170	x	5	6,998	RR 323,9	x	5,5	14,854
RR 125	x	4	4,105	RR 180	x	3	4,504	RR 323,9	x	5,5 (12m)	14,854
RR 125	x	6	6,056	RR 180	x	3 (10m)	4,504	RR 450	x	7	26,303

Round tubes bended according to customer's drawing

We are awaiting your request.



Round Tubes Stainless Steel 1.4301



Stainless Steel welded ISO
 L= about 6000 mm

D	x	S	NW/DN	ISO	kg/m	D	x	S	NW/DN	ISO	kg/m		
RR	13,5	x	1,6	8	1/4"	0,472	RR	168,3	x	2,0	150	6"	8,250
RR	13,5	x	2,3	8	1/4"	0,639	RR	168,3	x	2,5	150	6"	10,282
RR	17,2	x	1,6	10	3/8"	0,619	RR	168,3	x	3,0	150	6"	12,301
RR	17,2	x	2,0	10	3/8"	0,754	RR	219,1	x	2,0	200	8"	10,771
RR	17,2	x	2,3	10	3/8"	0,850	RR	219,1	x	2,5	200	8"	13,432
RR	21,3	x	1,6	15	1/2"	0,782	RR	219,1	x	3,0	200	8"	16,082
RR	21,3	x	2,0	15	1/2"	0,958	RR	273	x	2,0	250	10"	13,445
RR	21,3	x	2,6	15	1/2"	1,206	RR	273	x	2,5	250	10"	16,775
RR	26,9	x	1,6	20	3/4"	1,004	RR	273	x	3,0	250	10"	20,093
RR	26,9	x	2,0	20	3/4"	1,235	RR	323,9	x	2,0	300	12"	15,970
RR	26,9	x	2,6	20	3/4"	1,567	RR	323,9	x	2,5	300	12"	19,932
RR	33,7	x	1,6	25	1"	1,274	RR	323,9	x	3,0	300	12"	23,881
RR	33,7	x	2,0	25	1"	1,573	RR	355,6	x	2,5	350	14"	21,897
RR	33,7	x	2,6	25	1"	2,006	RR	355,6	x	3,0	350	14"	26,240
RR	33,7	x	3,2	25	1"	2,421	RR	406,4	x	3,0	400	16"	30,020
RR	42,4	x	1,6	32	5/4"	1,619	RR	406,4	x	4,0	400	16"	39,928
RR	42,4	x	2,0	32	5/4"	2,004	RR	457,2	x	3,0	450	18"	33,801
RR	42,4	x	2,6	32	5/4"	2,567	RR	457,2	x	4,0	450	18"	44,968
RR	42,4	x	3,2	32	5/4"	3,112	RR	508	x	3,0	500	20"	37,581
RR	48,3	x	1,6	40	6/4"	1,854	RR	508	x	4,0	500	20"	50,009
RR	48,3	x	2,0	40	6/4"	2,297	RR	609,6	x	3,0	600	24"	45,142
RR	48,3	x	2,6	40	6/4"	2,947	RR	609,6	x	4,0	600	24"	60,090
RR	48,3	x	3,2	40	6/4"	3,580							
RR	60,3	x	1,6	50	2"	2,330							
RR	60,3	x	2,0	50	2"	2,892							
RR	60,3	x	2,6	50	2"	3,721							
RR	60,3	x	3,0	50	2"	4,264							
RR	60,3	x	3,6	50	2"	5,063							
RR	76,1	x	1,6	65	2 1/2"	2,957							
RR	76,1	x	2,0	65	2 1/2"	3,676							
RR	76,1	x	2,5	65	2 1/2"	4,564							
RR	76,1	x	3,0	65	2 1/2"	5,440							
RR	76,1	x	3,6	65	2 1/2"	6,474							
RR	88,9	x	2,0	80	3"	4,311							
RR	88,9	x	2,5	80	3"	5,358							
RR	88,9	x	3,0	80	3"	6,393							
RR	88,9	x	4,0	80	3"	8,424							
RR	114,3	x	2,0	100	4"	5,571							
RR	114,3	x	2,5	100	4"	6,933							
RR	114,3	x	3,0	100	4"	8,283							
RR	139,7	x	2,0	125	5"	6,832							
RR	139,7	x	2,5	125	5"	8,508							
RR	139,7	x	3,0	125	5"	10,173							

Stainless Steel welded METRIC
 L= about 6000 mm

D	x	S	kg/m	D	x	S	kg/m		
RR	10	x	1,0	0,223	RR	35	x	2,0	1,637
RR	10	x	1,5	0,316	RR	38	x	1,5	1,358
RR	12	x	1,0	0,273	RR	38	x	2,0	1,786
RR	12	x	1,5	0,391	RR	40	x	1,5	1,433
RR	15	x	1,5	0,502	RR	40	x	2,0	1,885
RR	16	x	1,0	0,372	RR	43	x	1,5	1,544
RR	16	x	2,0	0,695	RR	45	x	2,0	2,133
RR	18	x	1,5	0,614	RR	50	x	2,0	2,381
RR	20	x	1,5	0,688	RR	53	x	1,5	1,916
RR	20	x	2,0	0,893	RR	54	x	2,0	2,580
RR	23	x	1,5	0,800	RR	70	x	1,5	2,549
RR	25	x	1,5	0,874	RR	70	x	2,0	3,374
RR	25	x	2,0	1,141	RR	84	x	2,0	4,068
RR	28	x	1,5	0,986	RR	104	x	2,0	5,060
RR	30	x	1,5	1,060	RR	129	x	2,0	6,301
RR	30	x	2,0	1,389	RR	154	x	2,0	7,541
RR	35	x	1,5	1,247					



Are you looking for a certain profile?
 Then use our profile – search engine on:
www.blecha.at

www.aluzaun.at

www.aluprofil.at



Tel 0043 (0)2635 68097 Fax 0043 (0)2635 68096 eMail export@blecha.at <http://www.blecha.at>
 Ingrid L. BLECHA Ges.m.b.H. IMPORT-EXPORT A-2620 NEUNKIRCHEN, Triftweg 102