



BLECHA

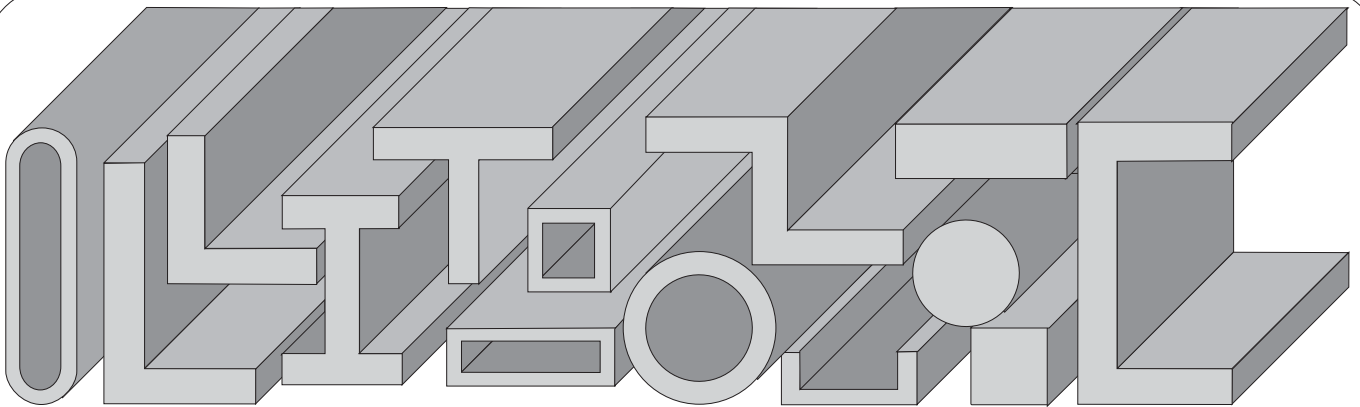


Wholesale trade

ALUMINIUM

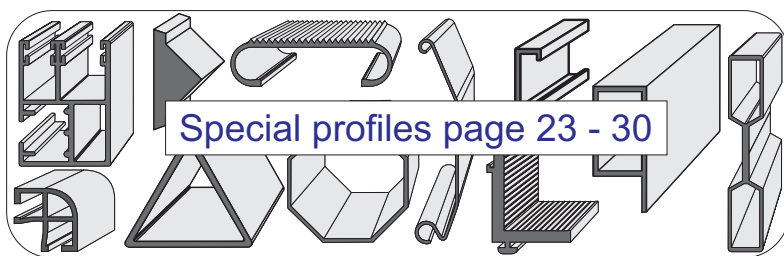
Stock list
10/2011 Nr

44

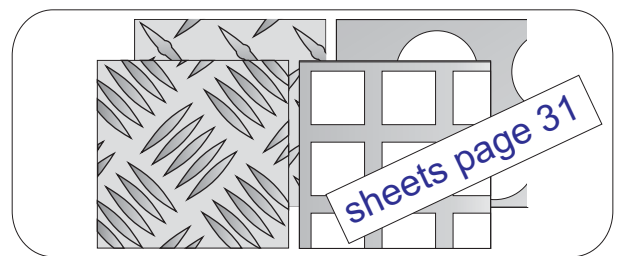


Round tubes, rectangular and square tubes, oval tubes, flat bars, angles,
T-profiles, Z-profiles, I-beams, U-channels, round bars, square bars

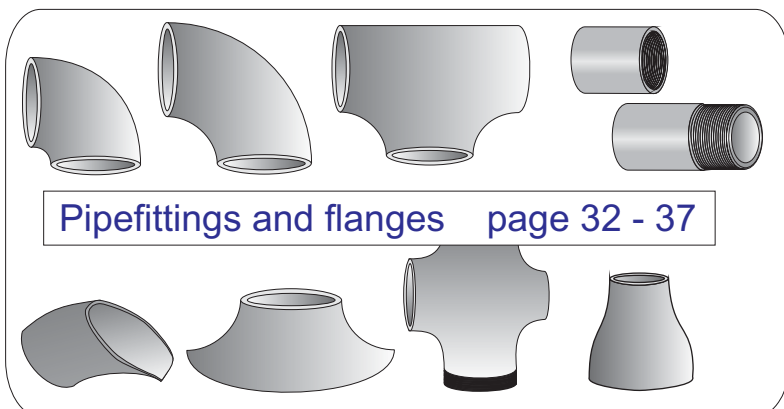
page 5 - 22



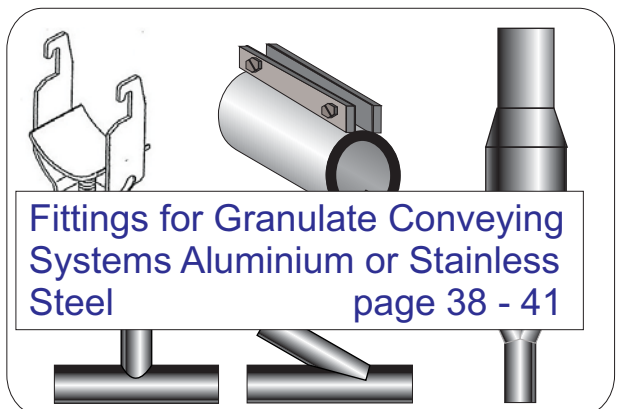
Special profiles page 23 - 30



sheets page 31



Pipefittings and flanges page 32 - 37



Fittings for Granulate Conveying
Systems Aluminium or Stainless
Steel page 38 - 41

Alloy chart

EN 573-3 EN AW-		Germany DE DIN DIN, WGL, WL, VAR	Nr.	Austria AT ON OENORM	United Kingdom GB BS
1*** = Al...					
EN AW-1050A	EN AW-AI99,5	AI99,5 / AI99,5R / SG-AI99,5	3.0255	AI99,5/ E-AI	1050A / 1B
EN AW-1070A	EN AW-AI99,7	AI99,7/ AI99,7R	3.0275	AI99,7	2L48
EN AW-1080A	EN AW-AI99,8(A)	AI99,8/ AI99,8R/ SG-AI99,8	3.0275	AI99,8	1080A / 1A
EN AW-1200	EN AW-AI99,0	AI99 / AI99,0	3.0205	AI99	1C
EN AW-1350A	EN AW-EAI99,5	E-AI	3.0257	-	1E
2***= AlCu...					
EN AW-2007	EN AW-AlCu4PbMgMn	AlCuMgPb	3.1645	-	-
EN AW-2011	EN AW-AlCu6BiPb	AlCuBiPb	3.1655	AlCuBiPb	FC1
EN AW-2014	EN AW-AlCu4SiMg	3.1254 / AlCu4,5Si0,9Mn0,8Mg / AlCuSiMn	3.1255	AlCuSiMn	H15
EN AW-2017A	EN AW-AlCu4MgSi(A)	AlCuMg1/ AlCu4Mg1	3.1325	AlCuMg1	H14
EN AW-2024	EN AW-AlCu4Mg1	AlCuMg2/ 3.1354 / AlCu4,4Mg1,5Mn	3.1355	AlCuMg2	L97 L98
EN AW-2030	EN AW-AlCu4PbMg	~ AlCuMgPb	-	-	7L25
EN AW-2117	EN AW-AlCu2,5Mg	3.1124 / AlCu2,5Mg2,5 / AlCu2,6Mg	3.1305	AlCu2,5Mg0,5	L86
EN AW-2618	-	AlCu2MgNi	3.1924	-	-
EN AW-2618A	EN AW-AlCu2Mg1,5Ni	-	-	-	H16
3***= AlMn...					
EN AW-3003	EN AW-AlMn1Cu	AlMnCu	3.0517	AlMnCu	-
EN AW-3004	EN AW-AlMn1Mg1	AlMn1Mg1	3.0526	AlMn1Mg1	-
EN AW-3005	EN AW-AlMn1Mg0,5	AlMn1Mg0,5	3.0526	AlMn1Mg0,5	-
EN AW-3103	EN AW-AlMn1	AlMn1/ SG-AlMn1	3.0515	AlMn	3103 / N3
EN AW-3105	EN AW-AlMn0,5Mg0,5	AlMg0,5Mg0,6	3.0505	-	N31
5***= AlMg...					
EN AW-5005	EN AW-AlMg1	AlMg1	3.3315	-	N41
EN AW-5019	EN AW-AlMg5	AlMg5	3.3354	AlMg5	N6 / Grade AL 1
EN AW-5056A		SG-AlMg5		-	5056A
EN AW-5050	EN AW-AlMg1,5(C)	AlMg1,5	-	-	3L44
EN AW-5052	EN AW-AlMg2,5	3.3524 / AlMg2,5 / AlMg2,5Cr	3.3524	AlMg2,5	L80 L81
EN AW-5083	EN AW-AlMg4,5Mn	AlMg4,5Mn	3.3547	AlMg4,5Mn	N8
EN AW-5086	EN AW-AlMg4	AlMg4Mn	3.3545	-	-
EN AW-5251	EN AW-AlMg2	AlMg2/ AlMg2Mn0,3	3.3525	-	N4
EN AW-5454	EN AW-AlMg3Mn	AlMg2,7Mn	3.3537	-	N51
EN AW-5754	EN AW-AlMg3	AlMg3/ SG-AlMg3	3.3535	AlMg3	-
6***= AlMgSi...					
EN AW-6005A	EN AW-AlSiMg(A)	AlMgSi0,7	3.3210	-	-
EN AW-6012	EN AW-AlMgSiPb	AlMgSiPb	3.0615	AlMgSiPb	-
EN AW-6060	EN AW-AlMgSi	AlMgSi0,5	3.3206	AlMgSi0,5	-
EN AW-6061	EN AW-AlMg1SiCu	AlMg1SiCu/AlMg1SiCuCr	3.3214	-	H20
EN AW-6063	EN AW-AlMg0,7Si	AlMgSi0,5	-	-	H9
EN AW-6082	EN AW-AlSi1MgMn	AlMgSi1	3.2315	AlMgSi1	H30
EN AW-6101B	EN AW-EAlSiMg(B)	E-AlMgSi0,5	3.3207	-	-
7***= AlZn...					
EN AW-7020	EN AW-AlZn4,5Mg1	AlZn4,5Mg1	3.4335	AlZn4,5Mg1	H17
EN AW-7022	EN AW-AlZn5Mg3Cu	AlZnMgCu0,5	3.4345	-	-
EN AW-7075	EN AW-AlZn5,5MgCu	3.4364/ AlZnMgCu1,5/ AlZn5,6Mg2,5Cu1,6Cr	3.4364	AlZnMgCu1,5	-

All specifications of this stock list e.g. weight per metre or per piece are without guarantee. Only the exact weight is the basis for our calculation.

Original packing units: bars/tubes about 500 kg, sheets about 1000 kg

If required, we indicate technical data and static values. However we do not take over any liability for their correctness.


Goods can be delivered with our own BLECHA- trucks according to our touring plan, forwarding agents or parcel services.

At the moment, the Ingrid L. Blecha company exports regularly to 46 countries.

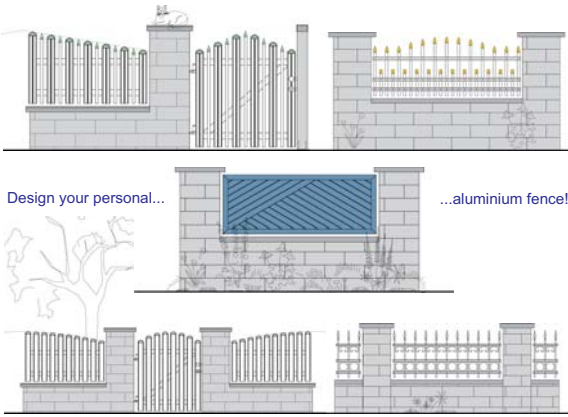
Please send inquiries for aluminium special profiles according to drawings, especially for **bending works and lathe works in aluminium and stainless steel.**


All previous issues of the Blecha stocklists cease their validity.

Tel 0043 2635 68097 Fax 0043 2635 68096 eMail aluzau@blecha.at <http://www.aluzaun.at>
Ingrid L. BLECHA Ges.m.b.H. IMPORT-EXPORT A-2620 NEUNKIRCHEN, Triftweg 102

BLECHA 
Wholesale trade

FENCE SYSTEMS January 2011



Design your personal...  ...aluminium fence!

laths & caps page 2-6	supporter & strips page 7+8	palisades & bowls page 9-12	triangle profiles, octagonal profiles & oval flat tubes page 13+14
standing & caps page 15-17	fencing-accessoires page 17-19	everything for door and fence constructions page 20-22	fences for balconies page 23-25



The Aluminium Fence System

ask for more information now

or visit our web-site:

www.aluzaun.at

ALUMINIUM CUTTING

We cut profiles on customer's requests
...ranging from small quantities to mass production...

NEW: We are able to provide you with cuts on commission



KAIMAN PIX 700 THETA

Subsurface circular saw with electronic positioning of the vertical axle from left 20° to right 20°
saw blade diameter 700 mm
cuts profiles **up to 270 mm** diameter.
cutting accuracy up to +/- 0,5 mm



SPRING ECHO

Mitre circular saw with horizontal saw blade feeder
saw blade diameter 450 mm
cuts profiles **up to 145 mm** diameter.
Pneumatically driven mitre device from left 20° to right 20°.
Cuttings accurate up to +/- 0,5 mm



MIRAGE 600

Automatic cutting line with circular saw for 90° cut saw blade diameter 400, 500 and 600 mm, incl. step-in storage and deposit table - for mass cuttings
cuttings accuracy up to +/- 0,2 mm



BEHRINGER HBM540 ALU

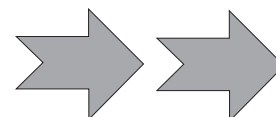
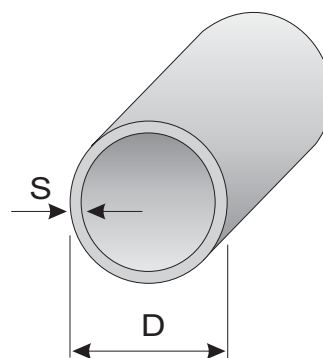
Automatic fully hydraulic heavy-duty bandsaw for following cuttings sections:
round up to 540 mm diameter
flat up to 630x540 mm

Length: 6000 mm Alloy: EN AW-6060 T66 (AlMgSi 0,5 F22)

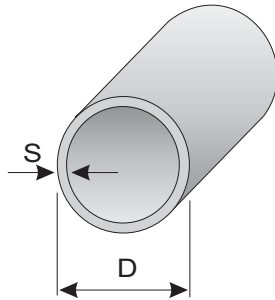
D	x	S	kg/m	D	x	S	kg/m
RR	6	x 1	0,043	RR	24	x 1,5	0,287
RR	6	x 1,5	0,057	RR	24	x 2	0,374
RR	7	x 1	0,051	RR	25	x 1	0,204
RR	8	x 1	0,060	RR	25	x 1,5	0,300
RR	8	x 1,5	0,083	RR	25	x 2	0,391
RR	8	x 2	0,102	RR	25	x 2,5	0,478
RR	8	x 2,5	0,117	RR	25	x 3	0,561
RR	9	x 1	0,068	RR	25	x 3,5	0,640
RR	10	x 1	0,077	RR	25	x 5	0,850
RR	10	x 1,5	0,108	RR	25	x 6	0,969
RR	10	x 2	0,136	RR	26	x 1,5	0,312
RR	10	x 2,5	0,159	RR	26,9	x 2,5	0,519
RR	10	x 3	0,179	RR	27	x 6	1,071
RR	12	x 1	0,094	RR	28	x 1,5	0,338
RR	12	x 1,5	0,134	RR	28	x 2	0,442
RR	12	x 2	0,170	RR	28	x 2,5	0,542
RR	13	x 1,5	0,147	RR	28	x 3	0,638
RR	13	x 2	0,187	RR	28	x 4	0,816
RR	14	x 1	0,111	RR	28	x 5	0,978
RR	14	x 2	0,204	RR	30	x 1	0,247
RR	14	x 3	0,281	RR	30	x 1,5	0,363
RR	15	x 1	0,119	RR	30	x 2	0,476
RR	15	x 1,5	0,172	RR	30	x 2,5	0,584
RR	15	x 2	0,221	RR	30	x 3	0,689
RR	15	x 2,5	0,266	RR	30	x 4	0,884
RR	16	x 1	0,128	RR	30	x 5	1,063
RR	16	x 1,5	0,185	RR	30	x 7,5	1,434
RR	16	x 2	0,238	RR	31	x 2,5	0,606
RR	16	x 2,5	0,287	RR	32	x 1	0,264
RR	16	x 3	0,332	RR	32	x 1,5	0,389
RR	16	x 4	0,408	RR	32	x 2	0,510
RR	16	x 5	0,468	RR	32	x 3	0,740
RR	18	x 1	0,145	RR	32	x 5	1,148
RR	18	x 1,5	0,210	RR	34	x 3	0,783
RR	18	x 2	0,272	RR	34	x 2	0,544
RR	18	x 3	0,383	RR	34	x 4	1,020
RR	19	x 1	0,153	RR	35	x 1	0,289
RR	19	x 1,5	0,223	RR	35	x 1,5	0,427
RR	20	x 1	0,162	RR	35	x 2	0,561
RR	20	x 1,2	0,192	RR	35	x 2,5	0,691
RR	20	x 1,5	0,236	RR	35	x 3	0,816
RR	20	x 2	0,306	RR	35	x 4	1,054
RR	20	x 2,5	0,372	RR	35	x 5	1,275
RR	20	x 3	0,434	RR	35	x 5,5	1,379
RR	20	x 4	0,544	RR	36	x 2	0,578
RR	20	x 5	0,638	RR	36	x 6	1,530
RR	21	x 2	0,323	RR	38	x 1,5	0,465
RR	21	x 3	0,459	RR	38	x 3	0,893
RR	22	x 1	0,179	RR	38	x 4	1,156
RR	22	x 1,5	0,261	RR	38	x 5	1,403
RR	22	x 2	0,340	RR	40	x 1	0,332
RR	22	x 2,5	0,414	RR	40	x 1,5	0,491
RR	22	x 3	0,485	RR	40	x 2	0,646
RR	23	x 1,5	0,274	RR	40	x 2,5	0,797

more on next page

Round Tubes



Round Tubes



D	x	S	kg/m	D	x	S	kg/m	D	x	S	kg/m
RR 40	x	3	0,942	RR 58	x	3	1,400	RR 75	x	5	2,969
RR 40	x	4	1,221	RR 60	x	1	0,500	RR 75	x	10	5,513
RR 40	x	5	1,484	RR 60	x	1,5	0,744	RR 76	x	2	1,255
RR 40	x	5	(8m) 1,484	RR 60	x	1,5	(6,5m) 0,744	RR 76	x	2,5	1,559
RR 40	x	5	(10m) 1,484	RR 60	x	2,0	(0,5m) 0,984	RR 76	x	3	(3m) 1,858
RR 40	x	8	2,171	RR 60	x	2	(2,5m) 0,984	RR 76	x	3	(6m) 1,858
RR 40	x	10	2,545	RR 60	x	2	(3m) 0,984	RR 76	x	3	(7m) 1,858
RR 42	x	1,5	0,515	RR 60	x	2	(3,5m) 0,984	RR 76	x	4	2,443
RR 42	x	2	0,679	RR 60	x	2	(6m) 0,984	RR 78	x	5	3,096
RR 42	x	2,5	0,838	RR 60	x	2	(7m) 0,984	RR 80	x	1,5	0,999
RR 42	x	3	0,992	RR 60	x	2,5	1,219	RR 80	x	2	1,323
RR 42	x	3,5	1,143	RR 60	x	3,0	(0,5m) 1,450	RR 80	x	2,5	1,643
RR 42	x	4	1,289	RR 60	x	3	(2,5m) 1,450	RR 80	x	3	1,959
RR 42	x	5	1,569	RR 60	x	3	(3m) 1,450	RR 80	x	4	2,579
RR 42	x	6	1,832	RR 60	x	3	(3,5m) 1,450	RR 80	x	5	3,181
RR 42,4	x	2,8	0,940	RR 60	x	3	(4m) 1,450	RR 80	x	6	3,766
RR 45	x	1,5	0,553	RR 60	x	3	(6m) 1,450	RR 80	x	8	4,886
RR 45	x	1,5	T6 0,553	RR 60	x	3	(7m) 1,450	RR 80	x	10	5,937
RR 45	x	2	0,729	RR 60	x	3	(8m) 1,450	RR 80	x	10	(9m) 5,937
RR 45	x	2,5	0,901	RR 60	x	4	1,900	RR 80	x	15	8,270
RR 45	x	3	1,069	RR 60	x	5	2,333	RR 84	x	2	1,391
RR 45	x	5	1,696	RR 60	x	6	2,748	RR 85	x	3	2,087
RR 45	x	7,5	2,386	RR 60	x	10	4,241	RR 85	x	5	3,393
RR 46	x	3	1,094	RR 60	x	11	4,572	RR 86	x	3	2,112
RR 48	x	2	0,780	RR 60	x	15	5,725	RR 89	x	2	1,476
RR 48	x	2	(7m) 0,780	RR 60	x	20	6,786	RR 89	x	3	2,188
RR 48	x	2,5	0,965	RR 62	x	2	1,018	RR 90	x	1,5	1,126
RR 48	x	3	1,145	RR 63	x	1,5	0,782	RR 90	x	2	1,493
RR 48	x	3	(7m) 1,145	RR 63	x	3	1,527	RR 90	x	3	(6m) 2,214
RR 48	x	4	1,493	RR 63	x	8	3,732	RR 90	x	3	(7m) 2,214
RR 48	x	5	1,824	RR 65	x	1,7	0,913	RR 90	x	4	2,918
RR 48,3	x	4,05	1,520	RR 65	x	2	1,069	RR 90	x	5	3,605
RR 48,3	x	6	2,153	RR 65	x	2,5	1,325	RR 90	x	6	4,275
RR 50	x	1	0,416	RR 65	x	4	2,070	RR 90	x	10	(3m) 6,786
RR 50	x	1,5	0,617	RR 65	x	5	2,545	RR 90	x	10	(6m) 6,786
RR 50	x	2	0,814	RR 66	x	2,5	1,347	RR 90	x	15	(3m) 9,542
RR 50	x	2,5	1,007	RR 66	x	3	1,603	RR 90	x	20	11,875
RR 50	x	3	1,196	RR 70	x	2	1,154	RR 90	x	25	(3m) 13,783
RR 50	x	3	T4 1,196	RR 70	x	2,5	1,431	RR 90	x	25	(6m) 13,783
RR 50	x	3,5	1,380	RR 70	x	3	1,705	RR 95	x	2,5	1,961
RR 50	x	4	1,561	RR 70	x	4	2,239	RR 96	x	14,5	10,024
RR 50	x	5	1,908	RR 70	x	5	2,757	RR 100	x	1,5	1,253
RR 50	x	8	2,850	RR 70	x	7	3,741	RR 100	x	2	1,662
RR 50	x	10	3,393	RR 70	x	10	5,089	RR 100	x	2,5	2,067
RR 54	x	2	0,882	RR 70	x	15	6,998	RR 100	x	3	2,468
RR 55	x	2	0,899	RR 72	x	4	2,307	RR 100	x	4	(6m) 3,257
RR 55	x	2,5	1,113	RR 75	x	2	1,238	RR 100	x	4	(8m) 3,257
RR 55	x	5	2,121	RR 75	x	2,5	1,537	RR 100	x	5	4,029
RR 56	x	3	1,349	RR 75	x	3	1,832	RR 100	x	5	(12m) 4,029

more on next page

Round Tubes

D	x	S	kg/m	D	x	S	kg/m	D	x	S	kg/m
RR 100	x	6	4,784	RR 130	x	2	2,171	RR 180	x	3 (10m)	4,504
RR 100	x	8	6,243	RR 130	x	2,5	2,704	RR 180	x	5	7,422
RR 100	x	10	7,634	RR 130	x	3	3,232	RR 180	x	5 (10m)	7,422
RR 100	x	15	10,815	RR 130	x	5	5,301	RR 180	x	20 (5m)	27,142
RR 100	x	20	13,571	RR 130	x	10	10,178	RR 190	x	3	4,758
RR 105	x	2,5	2,174	RR 130	x	15	14,631	RR 200	x	3	5,013
RR 105	x	2,5	T4 2,174	RR 133	x	3	3,308	RR 200	x	3 (10m)	5,013
RR 106	x	3	2,621	RR 133	x	4	4,377	RR 200	x	3 (12,1m)	5,013
RR 108	x	2,5	2,237	RR 140	x	3	3,486	RR 200	x	5	8,270
RR 108	x	3	2,672	RR 140	x	4	4,614	RR 200	x	8	13,028
RR 108	x	4	3,529	RR 140	x	5	5,725	RR 206	x	3	5,166
RR 108	x	5	4,368	RR 140	x	10	11,027	RR 208	x	4	6,921
RR 110	x	2,5	2,280	RR 150	x	2	2,511	RR 210	x	5	8,694
RR 110	x	3	2,723	RR 150	x	2 (9m)	2,511	RR 210	x	5 (10m)	8,694
RR 110	x	5	4,453	RR 150	x	3	3,741	RR 219	x	4	7,295
RR 110	x	10	8,482	RR 150	x	5	6,149	RR 219	x	4 (12m)	7,295
RR 114,3	x	3	2,832	RR 150	x	10	11,875	RR 220	x	5	9,118
RR 114,3	x	6	5,512	RR 150	x	10 (3m)	11,875	RR 230	x	5	9,542
RR 115	x	5	4,665	RR 156	x	3	3,893	RR 240	x	5	9,966
RR 120	x	2	2,002	RR 160	x	2	2,680	RR 250	x	5	10,390
RR 120	x	3	2,977	RR 160	x	3	3,995	RR 250	x	5 (10m)	10,390
RR 120	x	4	3,936	RR 160	x	3 (8m)	3,995	RR 250	x	5 (11m)	10,390
RR 120	x	5	4,877	RR 160	x	3 (12m)	3,995	RR 260	x	5	10,815
RR 120	x	8	7,600	RR 160	x	4	5,293	RR 273	x	4,5	10,248
RR 120	x	10	9,330	RR 160	x	5	6,574	RR 273	x	5 (12m)	11,366
RR 120	x	15	13,359	RR 160	x	10	12,723	RR 300	x	4	10,043
RR 125	x	2,5	2,598	RR 168	x	3,4	4,747	RR 300	x	4 (12m)	10,043
RR 125	x	4	4,105	RR 170	x	2,5	3,552	RR 300	x	8 (6,05m)	19,814
RR 125	x	6	6,056	RR 170	x	5	6,998	RR 323,9	x	5,5	14,854
RR 125	x	10	9,754	RR 180	x	3	4,504	RR 323,9	x	5,5 (12m)	14,854
								RR 450	x	7	26,303

Alloy: EN AW-6060 T66 (AlMgSi 0,5 F22) Length: 6000 mm

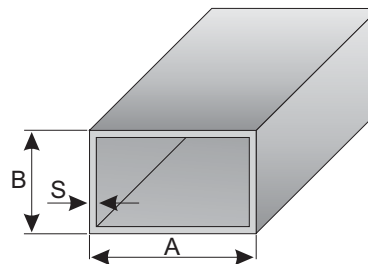
Round Tube

anodised E6C0 15 my

D	x	S	kg/m
RR 19	x	1 3 m	0,153

EN AW-6101 B E-AlMgSi0,5				EN AW-5005 AlMg1				EN AW-5083 AlMg4,5 Mn					
D	x	S	Lenght	D	x	S	kg/m	D	x	S	kg/m		
RR 40	x	5	8,000 m	RR 50	x	6 T4	2,220	RR 21,3	x	2,8	0,439		
RR 75	x	5	12,000 m					RR 26,7	x	2,9	0,585		
RR 80	x	10	6,000 m	EN AW-7075 AlZnMgCu1,5				RR 33,4	x	3,4	0,865		
RR 100	x	6	3,700 m	D	x	S	kg/m	RR 42,2	x	3,6	1,179		
RR 100	x	6	10,000 m	RR 50	x	6 T6	2,220	RR 48,3	x	3,7	1,400		
RR 100	x	6	11,000 m	EN AW-2024 AlCuMg2				RR 60,3	x	3,9	1,866		
RR 120	x	8	6,340 m	D	x	S	kg/m	RR 60,3	x	5,5	2,556		
RR 120	x	8	7,125 m	RR 50	x	6 T4	2,220	RR 73	x	5,2	2,990		
RR 160	x	6	5,100 m	EN AW-6082 T6 AlMgSi1				RR 73	x	7	3,919		
RR 160	x	6	5,900 m	D	x	S	Lenght	kg/m	RR 88,9	x	5,5	3,891	
RR 160	x	6	9,000 m	RR 110	x	10	6,00 m	8,482	RR 88,9	x	7,6	5,241	
RR 250	x	6	18,050 m	RR 150	x	15	6,05 m	17,176	RR 101,6	x	5,7	4,637	
EN AW-5754 AlMg3				RR 160	x	15	6,05 m	18,448	RR 101,6	x	8,1	6,424	
D	x	S	Lenght	kg/m	RR 160	x	20	6,05 m	23,750	RR 114,3	x	6,0	5,512
RR 31	x	3	draw n (2,64 m)	0,712	RR 170	x	10	6,05 m	13,571	RR 114,3	x	8,6	7,710
RR 35	x	3	draw n (3,00 m)	0,814	RR 170	x	15	6,05 m	19,711	RR 168,3	x	7,1	9,708
RR 45	x	5	pressed (6,00 m)	1,696	RR 180	x	15	6,05 m	20,993	RR 168,3	x	11,0	14,676
RR 60	x	5	pressed (6,00 m)	2,333	RR 180	x	20	5,50 m	27,142	RR 219,1	x	8,2	14,669
RR 65	x	5	pressed (6,00 m)	2,545	RR 200	x	50	3,05 m	63,615	RR 219,1	x	12,7	22,234
RR 80	x	5	pressed (6,00 m)	3,181	RR 240	x	50	3,05 m	80,579	RR 273,1	x	9,3	20,809
RR 82	x	4	draw n (6,00 m)	2,646	RR 380	x	50	1,25 m	139,953	RR 273,1	x	15	32,838
RR 90	x	5	pressed (6,00 m)	3,605	EN AW-6061 AlMg1SiCu				EN AW-1050 Al99,5				
RR 100	x	4	draw n (3,00 m)	3,257	D	x	S	kg/m	D	x	S	kg/m	
RR 100	x	10	pressed (6,00 m)	7,634	RR 50	x	6	2,24	RR 33,5	x	3,25	0,834	
RR 110	x	5	pressed (6,00 m)	4,453					RR 140	x	2	2,341	

Round Tubes several alloys

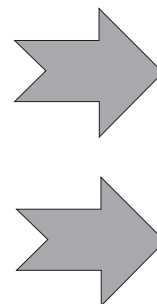


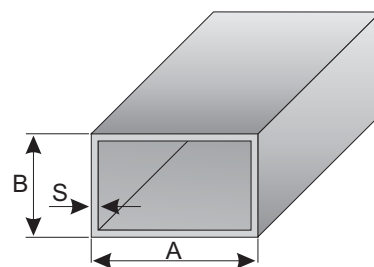
Rectangular Tubes

Alloy: EN AW-6060 T66 (AlMgSi 0,5 F22)

Length: 6 m

	A x	B x S	kg/m		A x	B x S	kg/m
FR	15 x	10 x 1,5	0,180	FR	50 x	20 x 1,5	0,540
FR	18 x	15 x 2	0,313	FR	50 x	20 x 2	0,713
FR	20 x	10 x 1	0,150	FR	50 x	20 x 3	1,037
FR	20 x	10 x 1,5	0,281	FR	50 x	20 x 4	1,339
FR	20 x	10 x 2	0,219	FR	50 x	25 x 1,5	0,583
FR	20 x	15 x 1,5	0,260	FR	50 x	25 x 2	0,767
FR	20 x	15 x 2	0,335	FR	50 x	25 x 2,5	0,945
FR	25 x	10 x 1,5	0,260	FR	50 x	25 x 3	1,120
FR	25 x	10 x 2	0,360	FR	50 x	30 x 1,8	0,750
FR	25 x	15 x 1,5	0,300	FR	50 x	30 x 2	0,821
FR	25 x	15 x 2	0,389	FR	50 x	30 x 2,5	1,013
FR	25 x	20 x 2	0,443	FR	50 x	30 x 3	1,195
FR	30 x	10 x 1,5	0,300	FR	50 x	40 x 2	0,930
FR	30 x	10 x 2	0,389	FR	50 x	40 x 2,5	1,147
FR	30 x	15 x 1,5	0,340	FR	50 x	40 x 3	1,361
FR	30 x	15 x 2	0,443	FR	50 x	40 x 4	1,770
FR	30 x	15 x 3	0,630	FR	50 x	45 x 2	0,980
FR	30 x	20 x 1,5	0,381	FR	55 x	50 x 3	1,610
FR	30 x	20 x 2	0,497	FR	60 x	10 x 2	0,710
FR	30 x	20 x 3	0,713	FR	60 x	20 x 1,5	0,624
FR	30 x	25 x 2	0,551	FR	60 x	20 x 2	0,821
FR	30 x	25 x 2,5	0,680	FR	60 x	20 x 3	1,200
FR	34 x	20 x 2	0,540	FR	60 x	20 x 4	1,570
FR	35 x	15 x 1,5	0,380	FR	60 x	25 x 2	0,875
FR	35 x	15 x 2	0,500	FR	60 x	25 x 3	1,280
FR	35 x	20 x 2	0,551	FR	60 x	30 x 2	0,929
FR	35 x	25 x 1,5	0,462	FR	60 x	30 x 3	1,361
FR	35 x	25 x 2	0,606	FR	60 x	30 x 4	1,771
FR	40 x	10 x 2	0,500	FR	60 x	40 x 2	1,037
FR	40 x	15 x 1,5	0,420	FR	60 x	40 x 2,5	1,282
FR	40 x	15 x 2	0,551	FR	60 x	40 x 3	1,523
FR	40 x	20 x 1,5	0,462	FR	60 x	40 x 4	1,987
FR	40 x	20 x 2	0,606	FR	60 x	40 x 4 (3,6m)	1,987
FR	40 x	20 x 2,5	0,742	FR	60 x	50 x 3	1,685
FR	40 x	20 x 3	0,875	FR	60 x	50 x 4	2,203
FR	40 x	20 x 4	1,153	FR	65 x	15 x 1,5	0,620
FR	40 x	25 x 1,5	0,502	FR	70 x	20 x 2	0,929
FR	40 x	25 x 2	0,659	FR	70 x	25 x 2,5	1,215
FR	40 x	25 x 2,5	0,810	FR	70 x	30 x 2	1,040
FR	40 x	30 x 1,5	0,543	FR	70 x	35 x 2	1,090
FR	40 x	30 x 2	0,713	FR	70 x	40 x 3	1,680
FR	40 x	30 x 2,5	0,877	FR	70 x	50 x 2	1,210
FR	40 x	30 x 3	1,037	FR	70 x	50 x 4	2,420
FR	40 x	30 x 4	1,340	FR	75 x	50 x 3	1,928
FR	45 x	20 x 2	0,610	FR	80 x	10 x 2	0,930
FR	45 x	25 x 2	0,713	FR	80 x	15 x 1,5	0,750
FR	45 x	25 x 3	1,037	FR	80 x	18 x 2	1,015
FR	50 x	10 x 2	0,600	FR	80 x	20 x 1,3	0,680
FR	50 x	15 x 2	0,659	FR	80 x	20 x 1,5	0,786



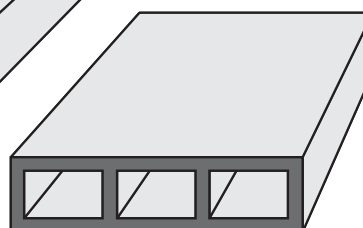
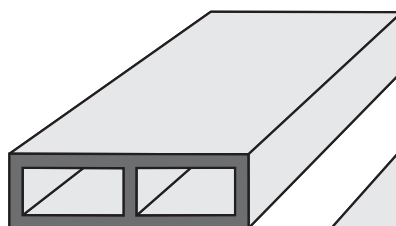


Rectangular Tubes

A x B x S	kg/m	A x B x S	kg/m	A x B x S	kg/m
FR 80 x 20 x 2	1,037	FR 100 x 50 x 4	3,067	FR 150 x 30 x 3	2,820
FR 80 x 20 x 2,5	1,283	FR 100 x 50 x 5	3,780	FR 150 x 40 x 2,5	2,498
FR 80 x 25 x 2	1,090	FR 100 x 60 x 2	1,680	FR 150 x 40 x 4	3,933
FR 80 x 25 x 2,5	1,350	FR 100 x 60 x 2,5	2,090	FR 150 x 50 x 2	2,120
FR 80 x 30 x 2	1,145	FR 100 x 60 x 3	2,500	FR 150 x 50 x 3	3,143
FR 80 x 30 x 3	1,685	FR 100 x 60 x 4	3,283	FR 150 x 50 x 4	4,147
FR 80 x 30 x 4	2,200	FR 100 x 60 x 5	4,050	FR 150 x 60 x 3	3,305
FR 80 x 40 x 2	1,253	FR 100 x 75 x 2,5	2,295	FR 150 x 60 x 5	5,400
FR 80 x 40 x 2,5	1,552	FR 100 x 75 x 2,5 (8,0m)	2,295	FR 150 x 80 x 4	4,810
FR 80 x 40 x 3	1,847	FR 100 x 80 x 3	2,819	FR 150 x 100 x 3	3,953
FR 80 x 40 x 4	2,419	FR 100 x 80 x 4	3,715	FR 160 x 40 x 4	4,150
FR 80 x 50 x 2	1,361	FR 110 x 50 x 2,5	2,093	FR 160 x 60 x 4	4,579
FR 80 x 50 x 3	2,009	FR 120 x 18 x 2	1,440	FR 160 x 60 x 5	5,670
FR 80 x 50 x 4	2,635	FR 120 x 20 x 1,5	1,110	FR 160 x 80 x 4	5,010
FR 80 x 50 x 5	3,240	FR 120 x 20 x 2	1,540	FR 160 x 80 x 4 (6,5m)	5,010
FR 80 x 60 x 2	1,469	FR 120 x 30 x 2	1,587	FR 160 x 90 x 5	6,480
FR 80 x 60 x 2,5	1,820	FR 120 x 30 x 3	2,333	FR 170 x 25 x 1,8	1,860
FR 80 x 60 x 3	2,171	FR 120 x 40 x 2	1,685	FR 170 x 70 x 4	5,011
FR 80 x 60 x 3 (8,0m)	2,171	FR 120 x 40 x 2,5	2,092	FR 180 x 18 x 2	2,095
FR 80 x 60 x 4	2,851	FR 120 x 40 x 4	3,283	FR 180 x 40 x 4	4,580
FR 90 x 40 x 3	2,010	FR 120 x 50 x 2	1,793	FR 180 x 50 x 3 (3,1m)	3,630
FR 100 x 18 x 2	1,231	FR 120 x 50 x 3	2,660	FR 180 x 50 x 3 (4,0m)	3,630
FR 100 x 18 x 4	2,376	FR 120 x 50 x 4	3,499	FR 180 x 50 x 4	4,795
FR 100 x 20 x 1,3	0,824	FR 120 x 60 x 2	1,900	FR 180 x 60 x 3	3,790
FR 100 x 20 x 1,6	1,010	FR 120 x 60 x 3	2,819	FR 180 x 60 x 4	5,011
FR 100 x 20 x 2	1,253	FR 120 x 60 x 4	3,715	FR 180 x 80 x 4	5,443
FR 100 x 20 x 3	1,847	FR 120 x 80 x 3	3,143	FR 200 x 18 x 2	2,312
FR 100 x 20 x 4	2,420	FR 120 x 80 x 4	4,147	FR 200 x 30 x 2,8	3,390
FR 100 x 25 x 2	1,307	FR 120 x 100 x 3	3,467	FR 200 x 35 x 2	2,495
FR 100 x 30 x 2	1,360	FR 130 x 50 x 4	3,720	FR 200 x 40 x 3	3,791
FR 100 x 30 x 3	2,009	FR 140 x 18 x 2	1,663	FR 200 x 50 x 2,5	3,310
FR 100 x 40 x 2	1,469	FR 140 x 40 x 4	3,720	FR 200 x 50 x 4	5,228
FR 100 x 40 x 2,5	1,823	FR 140 x 60 x 2,5	2,633	FR 200 x 60 x 4	5,444
FR 100 x 40 x 3	2,171	FR 140 x 80 x 4	4,579	FR 200 x 80 x 4	5,875
FR 100 x 40 x 4	2,851	FR 140 x 80 x 4 (4,0m)	4,579	FR 200 x 100 x 4	6,307
FR 100 x 50 x 2	1,577	FR 150 x 18 x 2	1,770	FR 250 x 50 x 3	4,763
FR 100 x 50 x 3	2,333	FR 150 x 20 x 1,8	1,618	FR 250 x 100 x 4	7,390

Rectangular Tubes with bar

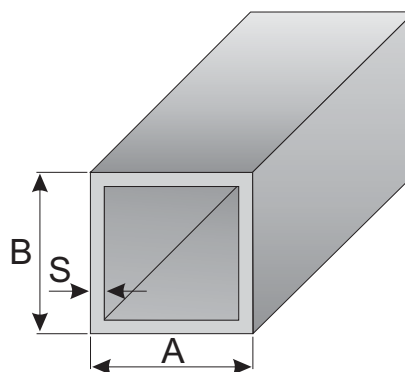
A x B x S	
FR 90 x 18 x 1,5	with bar
FR 97 x 17 x 1,2	with bar
FR 120 x 25 x 1,5	with 2 bars
FR 150 x 15 x 2	with 2 bars
FR 150 x 18 x 2	with 2 bars
FR 160 x 18 x 2	with 2 bars
FR 200 x 18 x 2	with bar
FR 200 x 18 x 2	with bar (3,8m)



This is the STOCKLIST.
 Subject prior sale.
 Other dimensions on request.

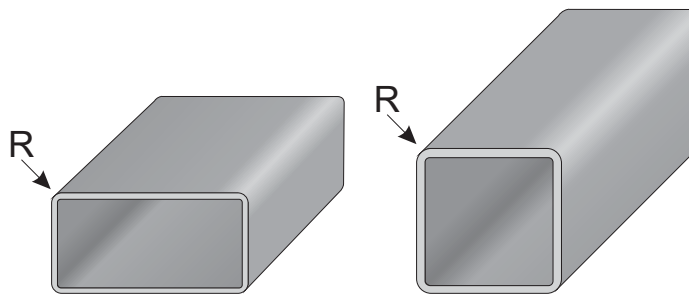
Length: 6000 mm
 Alloy: EN AW-6060 T66 (AlMgSi 0,5 F22)

Square Tubes



A x B x S	kg/m	A x B x S	kg/m
FR 10 x 10 x 1	0,097	FR 50 x 50 x 3	1,523
FR 10 x 10 x 1,5	0,138	FR 50 x 50 x 4	1,987
FR 12 x 12 x 1	0,119	FR 50 x 50 x 5	2,430
FR 12 x 12 x 2	0,216	FR 55 x 55 x 2	1,145
FR 14 x 14 x 1	0,140	FR 60 x 60 x 1,5	0,948
FR 15 x 15 x 1	0,151	FR 60 x 60 x 2	1,253
FR 15 x 15 x 1,5	0,219	FR 60 x 60 x 2,5	1,553
FR 15 x 15 x 2	0,281	FR 60 x 60 x 3	1,847
FR 16 x 16 x 1	0,162	FR 60 x 60 x 4	2,419
FR 16 x 16 x 4	0,518	FR 60 x 60 x 5	2,970
FR 18 x 18 x 1,5	0,267	FR 65 x 65 x 2,5	1,688
FR 18 x 18 x 2	0,346	FR 70 x 70 x 2	1,469
FR 20 x 20 x 1	0,205	FR 70 x 70 x 3	2,171
FR 20 x 20 x 1,5	0,300	FR 70 x 70 x 4	2,851
FR 20 x 20 x 2	0,389	FR 80 x 80 x 2	1,685
FR 20 x 20 x 2,5	0,473	FR 80 x 80 x 3	2,495
FR 20 x 20 x 3	0,551	FR 80 x 80 x 4	3,283
FR 25 x 25 x 1,5	0,381	FR 80 x 80 x 5	4,050
FR 25 x 25 x 2	0,497	FR 80 x 80 x 6	4,795
FR 25 x 25 x 2,5	0,608	FR 80 x 80 x 8	6,221
FR 25 x 25 x 3	0,713	FR 90 x 90 x 2,5	2,363
FR 25 x 25 x 4	0,907	FR 90 x 90 x 4	3,715
FR 30 x 30 x 1,5	0,462	FR 100 x 100 x 2	2,117
FR 30 x 30 x 2	0,605	FR 100 x 100 x 2,5	2,633
FR 30 x 30 x 2,5	0,743	FR 100 x 100 x 3	3,143
FR 30 x 30 x 3	0,875	FR 100 x 100 x 4	4,147
FR 30 x 30 x 4	1,123	FR 100 x 100 x 5	5,130
FR 34 x 34 x 2	0,691	FR 100 x 100 x 6	6,091
FR 34 x 34 x 3	1,004	FR 100 x 100 x 10	9,720
FR 35 x 35 x 2	0,713	FR 110 x 110 x 2	2,333
FR 35 x 35 x 3	1,037	FR 110 x 110 x 4	4,579
FR 40 x 40 x 1,5	0,624	FR 120 x 120 x 2,5	3,173
FR 40 x 40 x 2	0,821	FR 120 x 120 x 4	5,011
FR 40 x 40 x 2 (6,5m)	0,821	FR 120 x 120 x 5	6,210
FR 40 x 40 x 2,5	1,013	FR 120 x 120 x 5 (10,0m)	6,210
FR 40 x 40 x 3	1,199	FR 130 x 130 x 5	6,750
FR 40 x 40 x 4	1,555	FR 145 x 145 x 3	4,601
FR 40 x 40 x 5	1,890	FR 150 x 150 x 3	4,763
FR 45 x 45 x 2	0,929	FR 150 x 150 x 4	6,307
FR 45 x 45 x 3	1,361	FR 150 x 150 x 5	7,830
FR 50 x 50 x 1,5	0,786	FR 200 x 200 x 4 (6,4m) R2	8,467
FR 50 x 50 x 2	1,037	FR 200 x 200 x 4 (12,0m) R2	8,467
FR 50 x 50 x 2,5	1,283		more on next page

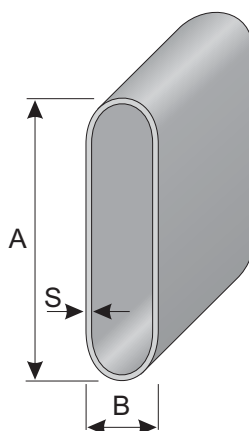
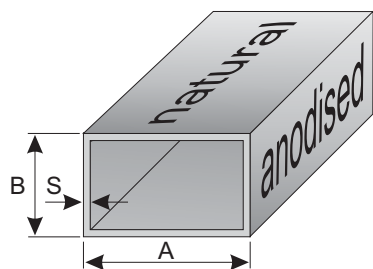
Square Tubes and Rectangular Tubes with round corners



A	x	B	x	S		kg/m	A	x	B	x	S		kg/m
FR 20	x	20	x	2	R 2	0,389	FR 50	x	50	x	2,5	R 4	1,280
FR 25	x	15	x	1,8	R 2	0,345	FR 50	x	50	x	3	R 4	1,490
FR 25	x	25	x	2	R 2	0,479	FR 50	x	50	x	4	R 4	1,960
FR 30	x	10	x	2	R 2	0,380	FR 60	x	40	x	2,5	R 2	1,273
FR 30	x	20	x	2	R 2	0,490	FR 60	x	60	x	2,5	R 3	1,532
FR 30	x	30	x	1,5	R 5	0,480	FR 60	x	60	x	3	R 3	1,800
FR 30	x	30	x	2	R 2	0,596	FR 60	x	60	x	3	R 6	1,841
FR 30	x	30	x	2	R 3	0,605	FR 60	x	60	x	4	R 3	2,398
FR 30	x	30	x	2,5	R 5	0,704	FR 70	x	70	x	2,5	R 4	1,830
FR 30	x	30	x	3	R 3	0,850	FR 75	x	50	x	5	R 2	3,100
FR 33	x	22	x	2	R 8	0,466	FR 80	x	40	x	2,5	R 3	1,552
FR 35	x	25	x	2	R 2	0,600	FR 80	x	50	x	4	R 3	2,635
FR 35	x	35	x	2,5	R 2,5	0,870	FR 80	x	60	x	2,5	R 3	1,800
FR 40	x	20	x	2	R 2	0,610	FR 80	x	80	x	3	R 6	2,240
FR 40	x	40	x	2	R 4	0,821	FR 80	x	80	x	4	R 6	3,240
FR 40	x	40	x	2,5	R 2	1,003	FR 82,5	x	22,5	x	1,25	R 2,75	0,683
FR 40	x	40	x	2,5	R 2 (8,0m)	1,003	FR 100	x	25	x	1,8 / 2,2	R 3,5	1,200
FR 40	x	40	x	2,5	R 4	1,010	FR 100	x	25	x	2	R 2	1,310
FR 40	x	40	x	2,5	R 5	1,015	FR 100	x	25	x	2 (7,0m)	R 4	1,291
FR 40	x	40	x	4	R 2	1,546	FR 100	x	100	x	3	R 8	3,000
FR 45	x	25	x	2	R 2	0,710	FR 100	x	100	x	4	R 10	4,055
FR 45	x	45	x	2,5	R 3,5 (3,0m)	1,030	FR 120	x	120	x	4	R 10	4,800
FR 45	x	45	x	2,5	R 3,5 (6,0m)	1,030	FR 200	x	200	x	4 (6,4m)	R 2	8,500
FR 50	x	30	x	2	R 5	0,772	FR 200	x	200	x	4 (12,0m)	R 2	8,500
FR 50	x	50	x	2	R 4	1,037	FR 200	x	200	x	4	R 10	8,319

Rectangular Tubes anodised E6C0 10 µm Length = 7500 mm

A	x	B	x	S	kg/m
FR 80	x	40	x	2	1,253

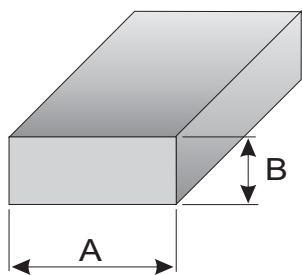


Oval Tubes flat

	A	x	B	x	S	kg/m
OR	21	x	12	x	2	0,270
OR	26	x	17	x	2	0,360
OR	30	x	18,5	x	2,25	0,450
OR	40	x	20	x	2	0,521
OR	42	x	22	x	1,4	0,423
OR	45	x	15	x	2	0,550
OR	45	x	23	x	2	0,594
OR	50	x	25	x	2	0,660
OR	50	x	30	x	1,5	0,530
OR	60	x	10	x	1,25	0,430
OR	80	x	26	x	1,5	0,750
OR	110	x	26	x	3	1,945
OR	160	x	80	x	3	L=6 m 3,255
OR	160	x	80	x	3	L=8 m 3,255

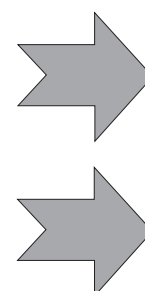
This is the STOCKLIST.
 Subject prior sale.
 Other dimensions on request.

Flat Bars



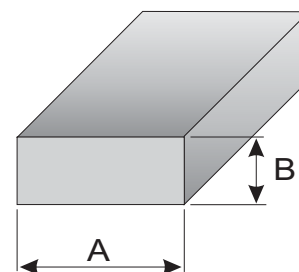
This is the STOCKLIST. Subject prior sale.
Other dimensions on request.

A x B	kg/m	A x B	kg/m
FL 8 x 2	0,043	FL 30 x 4	0,324
FL 8 x 5	0,108	FL 30 x 5	0,405
FL 10 x 2	0,054	FL 30 x 6	0,486
FL 10 x 3	0,081	FL 30 x 8	0,648
FL 10 x 4	0,108	FL 30 x 10	0,810
FL 10 x 5	0,135	FL 30 x 12	0,972
FL 10 x 6	0,162	FL 30 x 15	1,215
FL 10 x 8	0,216	FL 30 x 20	1,620
FL 12 x 2	0,065	FL 30 x 25	2,025
FL 12 x 3	0,097	FL 35 x 2	0,189
FL 12 x 4	0,130	FL 35 x 3	0,284
FL 12 x 5	0,162	FL 35 x 4	0,378
FL 12 x 6	0,194	FL 35 x 5	0,473
FL 12 x 8	0,259	FL 35 x 6	0,567
FL 12 x 10	0,324	FL 35 x 8	0,756
FL 15 x 2 (2,0m)	0,081	FL 35 x 10	0,945
FL 15 x 2	0,081	FL 35 x 12	1,134
FL 15 x 3	0,122	FL 35 x 15	1,418
FL 15 x 4 (6,1m)	0,162	FL 35 x 20	1,890
FL 15 x 5	0,203	FL 35 x 25	2,363
FL 15 x 6	0,243	FL 40 x 2	0,216
FL 15 x 8	0,324	FL 40 x 3	0,324
FL 15 x 10	0,405	FL 40 x 4	0,432
FL 16 x 3	0,130	FL 40 x 5	0,540
FL 16 x 5	0,216	FL 40 x 5 T64	0,540
FL 18 x 3	0,146	FL 40 x 6	0,648
FL 18 x 5	0,243	FL 40 x 8	0,864
FL 18 x 8	0,389	FL 40 x 10	1,080
FL 20 x 2	0,108	FL 40 x 12	1,296
FL 20 x 3	0,162	FL 40 x 15	1,620
FL 20 x 4	0,216	FL 40 x 20	2,160
FL 20 x 5	0,270	FL 40 x 25	2,700
FL 20 x 6	0,324	FL 40 x 30	3,240
FL 20 x 8	0,432	FL 45 x 2	0,243
FL 20 x 10	0,540	FL 45 x 3	0,365
FL 20 x 12	0,648	FL 45 x 5	0,608
FL 20 x 15	0,810	FL 45 x 6	0,729
FL 25 x 2	0,135	FL 45 x 8	0,972
FL 25 x 3	0,203	FL 45 x 10	1,215
FL 25 x 4	0,270	FL 45 x 15	1,823
FL 25 x 5	0,338	FL 45 x 20	2,430
FL 25 x 6	0,405	FL 50 x 2	0,270
FL 25 x 8	0,540	FL 50 x 3	0,405
FL 25 x 10	0,675	FL 50 x 4	0,540
FL 25 x 12	0,810	FL 50 x 5	0,675
FL 25 x 15	1,013	FL 50 x 6	0,810
FL 25 x 20	1,350	FL 50 x 8	1,080
FL 30 x 2	0,162	FL 50 x 10	1,350
FL 30 x 2,5	0,203	FL 50 x 12	1,620
FL 30 x 3	0,243	FL 50 x 15	2,025



Flat Bars

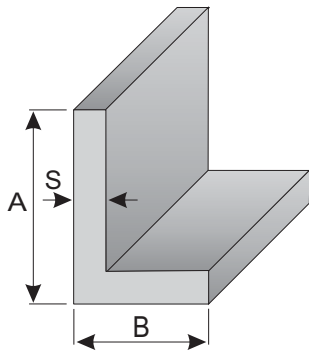
A	x	B	kg/m	A	x	B	kg/m	A	x	B	kg/m
FL 50	x	20	2,700	FL 80	x	50	10,800	FL 150	x	40	16,200
FL 50	x	25	3,375	FL 90	x	3 (4,9m)	0,729	FL 160	x	5	2,160
FL 50	x	30	4,050	FL 90	x	3	0,729	FL 160	x	6	2,592
FL 50	x	35	4,725	FL 90	x	5	1,215	FL 160	x	8	3,456
FL 50	x	40	5,400	FL 90	x	6	1,458	FL 160	x	10	4,320
FL 55	x	5	0,743	FL 90	x	8	1,944	FL 160	x	15	6,480
FL 55	x	10	1,485	FL 90	x	10	2,430	FL 160	x	20	8,640
FL 60	x	2	0,324	FL 90	x	15	3,645	FL 180	x	8	3,888
FL 60	x	3	0,486	FL 90	x	20	4,860	FL 180	x	10	4,860
FL 60	x	4	0,648	FL 90	x	25	6,075	FL 200	x	5	2,700
FL 60	x	5	0,810	FL 90	x	30	7,290	FL 200	x	8	4,320
FL 60	x	6	0,972	FL 100	x	2	0,540	FL 200	x	10	5,400
FL 60	x	8	1,296	FL 100	x	3	0,810	FL 200	x	15	8,100
FL 60	x	10	1,620	FL 100	x	4	1,080	FL 200	x	20	10,800
FL 60	x	12	1,944	FL 100	x	5	1,350	FL 200	x	25	13,500
FL 60	x	15	2,430	FL 100	x	6	1,620	FL 200	x	30	16,200
FL 60	x	20	3,240	FL 100	x	8	2,160	FL 250	x	8	5,400
FL 60	x	25	4,050	FL 100	x	10	2,700	FL 250	x	10	6,750
FL 60	x	30	4,860	FL 100	x	12	3,240	FL 250	x	20	13,500
FL 60	x	40	6,480	FL 100	x	15	4,050	FL 300	x	10	8,100
FL 60	x	50	8,100	FL 100	x	20	5,400	FL 300	x	15 (3,3m) R 1	12,150
FL 70	x	2	0,378	FL 100	x	25	6,750	FL 300	x	20	16,200
FL 70	x	3	0,567	FL 100	x	30	8,100				
FL 70	x	4	0,756	FL 100	x	40	10,800				
FL 70	x	5	0,945	FL 100	x	50	13,500				
FL 70	x	6	1,134	FL 110	x	8	2,376				
FL 70	x	8	1,512	FL 120	x	5	1,620				
FL 70	x	10	1,890	FL 120	x	6	1,944				
FL 70	x	12	2,268	FL 120	x	8	2,592				
FL 70	x	15	2,835	FL 120	x	10	3,240				
FL 70	x	20	3,780	FL 120	x	12	3,888				
FL 70	x	25	4,725	FL 120	x	15	4,860				
FL 70	x	30	5,670	FL 120	x	20	6,480				
FL 70	x	40	7,560	FL 120	x	25	8,100				
FL 70	x	50	9,450	FL 120	x	30	9,720				
FL 80	x	2	0,432	FL 125	x	8	2,700				
FL 80	x	3	0,648	FL 125	x	10	3,375				
FL 80	x	4	0,864	FL 130	x	8	2,808				
FL 80	x	5	1,080	FL 130	x	10	3,510				
FL 80	x	6	1,296	FL 140	x	10	3,780				
FL 80	x	8	1,728	FL 140	x	15	5,670				
FL 80	x	10	2,160	FL 150	x	5	2,025				
FL 80	x	12	2,592	FL 150	x	6	2,430				
FL 80	x	15	3,240	FL 150	x	8	3,240				
FL 80	x	20	4,320	FL 150	x	10	4,050				
FL 80	x	25	5,400	FL 150	x	12	4,860				
FL 80	x	30	6,480	FL 150	x	15	6,075				
FL 80	x	35	7,560	FL 150	x	20	8,100				
FL 80	x	40	8,640	FL 150	x	30	12,150				



Flat Bars anodised E6C0 12 mµ

A	x	B	kg/m
FL 10	x	3	0,081

This is the STOCKLIST.
 Subject prior sale.
 Other dimensions on request.

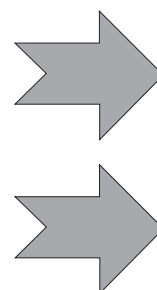


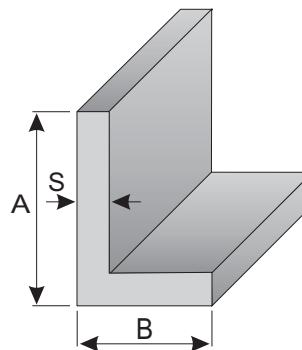
Angles asymmetrical

	A	x	B	x	S	kg/m		A	x	B	x	S	kg/m
L	10	x	5	x	2	0,070	L	40	x	30	x	4	0,713
L	15	x	10	x	2	0,124	L	40	x	30	x	5	0,878
L	16	x	8	x	2	0,119	L	40	x	35	x	2	0,394
L	20	x	10	x	1,5	0,115	L	45	x	15	x	2	0,313
L	20	x	10	x	2	0,151	L	45	x	20	x	2	0,340
L	20	x	15	x	2	0,178	L	45	x	20	x	3	0,502
L	20	x	15	x	3	0,259	L	45	x	25	x	3	0,543
L	25	x	10	x	2	0,178	L	45	x	30	x	3	0,583
L	25	x	15	x	1,5	0,156	L	50	x	10	x	2	0,313
L	25	x	15	x	2	0,205	L	50	x	15	x	2	0,340
L	25	x	15	x	3	0,300	L	50	x	15	x	2,5	0,422
L	25	x	20	x	1,5	0,176	L	50	x	20	x	2	0,367
L	25	x	20	x	2	0,232	L	50	x	20	x	2,5	0,456
L	25	x	20	x	2,5	0,287	L	50	x	20	x	3	0,543
L	25	x	20	x	3	0,340	L	50	x	20	x	4	0,713
L	30	x	10	x	2	0,205	L	50	x	25	x	2	0,394
L	30	x	15	x	1,5	0,176	L	50	x	25	x	2,5	0,489
L	30	x	15	x	2	0,232	L	50	x	25	x	3	0,583
L	30	x	15	x	3	0,340	L	50	x	25	x	4	0,767
L	30	x	20	x	1	0,132	L	50	x	25	x	5	0,945
L	30	x	20	x	1,5	0,196	L	50	x	30	x	2	0,421
L	30	x	20	x	2	0,259	L	50	x	30	x	3	0,624
L	30	x	20	x	2,5	0,321	L	50	x	30	x	4	0,821
L	30	x	20	x	3	0,381	L	50	x	30	x	5	1,013
L	30	x	20	x	4	0,497	L	50	x	35	x	4	0,875
L	30	x	25	x	2	0,286	L	50	x	40	x	2	0,475
L	30	x	25	x	3	0,421	L	50	x	40	x	3	0,705
L	35	x	10	x	2	0,232	L	50	x	40	x	4	0,929
L	35	x	15	x	2	0,259	L	50	x	40	x	5	1,148
L	35	x	20	x	2	0,286	L	60	x	10	x	2	0,367
L	35	x	20	x	3	0,421	L	60	x	15	x	2	0,394
L	35	x	25	x	2	0,313	L	60	x	20	x	2	0,421
L	35	x	25	x	3	0,462	L	60	x	20	x	2,5	0,523
L	40	x	10	x	2	0,259	L	60	x	20	x	3	0,624
L	40	x	15	x	2	0,286	L	60	x	25	x	2	0,448
L	40	x	20	x	2	0,313	L	60	x	25	x	2,5	0,557
L	40	x	20	x	2,5	0,388	L	60	x	25	x	3	0,664
L	40	x	20	x	3	0,462	L	60	x	30	x	2	0,475
L	40	x	20	x	4	0,605	L	60	x	30	x	3	0,705
L	40	x	20	x	5	0,743	L	60	x	30	x	4	0,929
L	40	x	25	x	2	0,340	L	60	x	30	x	5	1,148
L	40	x	25	x	2,5	0,422	L	60	x	30	x	6	1,361
L	40	x	25	x	3	0,502	L	60	x	40	x	2	0,529
L	40	x	25	x	4	0,659	L	60	x	40	x	3	0,786
L	40	x	30	x	2	0,367	L	60	x	40	x	4	1,037
L	40	x	30	x	3	0,543	L	60	x	40	x	5	1,283

Length: 6 m

Alloy: EN AW-6060 T66 (AlMgSi 0,5 F22)





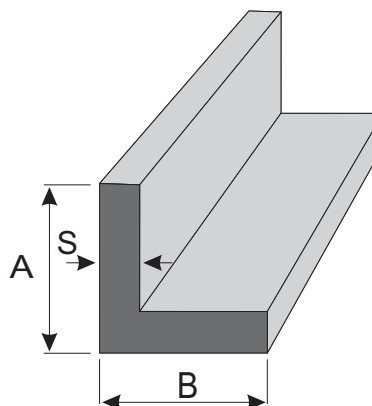
Angles asymmetrical

	A x B x S	kg/m		A x B x S	kg/m
L	60 x 40 x 6	1,523	L	100 x 50 x 3	1,191
L	60 x 50 x 2	0,583	L	100 x 50 x 5	1,958
L	70 x 15 x 2	0,448	L	100 x 50 x 6	2,333
L	70 x 20 x 2	0,475	L	100 x 50 x 8	3,067
L	70 x 25 x 2	0,502	L	100 x 50 x 10	3,780
L	70 x 25 x 2,5	0,624	L	100 x 60 x 6	2,495
L	70 x 30 x 2	0,529	L	100 x 60 x 8	3,283
L	70 x 30 x 3	0,786	L	100 x 80 x 6	2,819
L	70 x 30 x 5	1,283	L	100 x 80 x 8	3,715
L	70 x 40 x 2	0,583	L	110 x 30 x 2	0,745
L	70 x 40 x 4	1,145	L	120 x 20 x 2	0,745
L	70 x 50 x 3	0,948	L	120 x 30 x 3	1,191
L	70 x 50 x 5	1,553	L	120 x 40 x 3	1,272
L	75 x 50 x 5	1,620	L	120 x 40 x 4	1,685
L	80 x 15 x 2	0,502	L	120 x 50 x 5	2,228
L	80 x 20 x 2	0,529	L	120 x 60 x 2	0,961
L	80 x 25 x 2	0,556	L	120 x 60 x 6	2,819
L	80 x 25 x 2,5	0,692	L	120 x 60 x 8	3,715
L	80 x 30 x 2	0,583	L	120 x 80 x 3	1,596
L	80 x 30 x 3	0,867	L	120 x 80 x 8	4,147
L	80 x 40 x 2	0,637	L	120 x 80 x 10	5,130
L	80 x 40 x 3	0,948	L	120 x 100 x 4 (3,8m)	2,333
L	80 x 40 x 4	1,253	L	120 x 100 x 4	2,333
L	80 x 40 x 5	1,553	L	130 x 30 x 3	1,272
L	80 x 40 x 6	1,847	L	130 x 80 x 6	3,305
L	80 x 50 x 3	1,029	L	140 x 40 x 3	1,434
L	80 x 50 x 4	1,361	L	140 x 40 x 4	1,901
L	80 x 50 x 5	1,688	L	140 x 40 x 6	2,819
L	80 x 50 x 6	2,009	L	150 x 50 x 4	2,117
L	80 x 60 x 4	1,469	L	150 x 50 x 5	2,633
L	80 x 60 x 6	2,171	L	150 x 75 x 8	4,687
L	90 x 40 x 4	1,361	L	150 x 75 x 10	5,805
L	90 x 60 x 6	2,333	L	150 x 100 x 5	3,308
L	100 x 20 x 2	0,637	L	150 x 100 x 10	6,480
L	100 x 25 x 2	0,664	L	160 x 40 x 4	2,117
L	100 x 30 x 2	0,691	L	160 x 60 x 8	4,579
L	100 x 30 x 3	1,029	L	180 x 80 x 10	6,750
L	100 x 40 x 2	0,745	L	180 x 150 x 6	5,249
L	100 x 40 x 3	1,110	L	200 x 100 x 10	7,830
L	100 x 40 x 4	1,469	L	300 x 60 x 6	5,735
L	100 x 50 x 2	0,799			

more on next page

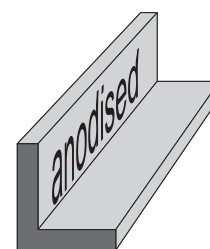
Lenght: 6000 mm

Alloy: EN AW-6060 T66 (AlMgSi 0,5 F22)



Angles symmetrical

A x B x S	kg/m	A x B x S	kg/m	A x B x S	kg/m
L 10 x 10 x 1	0,051	L 35 x 35 x 5	0,878	L 70 x 70 x 7	2,514
L 10 x 10 x 1,5	0,075	L 40 x 40 x 2	0,421	L 75 x 75 x 4	1,577
L 10 x 10 x 2	0,097	L 40 x 40 x 3	0,624	L 75 x 75 x 5	1,958
L 12 x 12 x 1	0,062	L 40 x 40 x 4	0,821	L 80 x 80 x 3	1,272
L 12 x 12 x 2	0,119	L 40 x 40 x 5	1,013	L 80 x 80 x 4	1,685
L 15 x 15 x 1	0,078	L 40 x 40 x 6	1,199	L 80 x 80 x 5	2,093
L 15 x 15 x 1,5	0,115	L 45 x 45 x 2	0,475	L 80 x 80 x 6	2,495
L 15 x 15 x 2	0,151	L 45 x 45 x 3	0,705	L 80 x 80 x 8	3,283
L 15 x 15 x 3	0,219	L 45 x 45 x 4	0,929	L 80 x 80 x 10	4,050
L 20 x 20 x 1,5	0,156	L 45 x 45 x 5	1,148	L 90 x 90 x 6	2,819
L 20 x 20 x 2	0,205	L 50 x 50 x 2	0,529	L 100 x 100 x 3	1,596
L 20 x 20 x 2,5	0,253	L 50 x 50 x 2 (1,5m)	0,529	L 100 x 100 x 4	2,117
L 20 x 20 x 3	0,300	L 50 x 50 x 3	0,786	L 100 x 100 x 5	2,633
L 20 x 20 x 4	0,389	L 50 x 50 x 4	1,037	L 100 x 100 x 6	3,143
L 25 x 25 x 1	0,132	L 50 x 50 x 5	1,283	L 100 x 100 x 8	4,147
L 25 x 25 x 1,5	0,196	L 50 x 50 x 6	1,523	L 100 x 100 x 10	5,130
L 25 x 25 x 2	0,259	L 50 x 50 x 8	1,987	L 120 x 120 x 2,5	1,603
L 25 x 25 x 2,5	0,321	L 50 x 50 x 10	2,430	L 120 x 120 x 8	5,011
L 25 x 25 x 3	0,381	L 60 x 60 x 2	0,637	L 120 x 120 x 10	6,210
L 25 x 25 x 4	0,497	L 60 x 60 x 2,5	0,793	L 140 x 140 x 8	5,875
L 30 x 30 x 1	0,159	L 60 x 60 x 3	0,948		
L 30 x 30 x 2	0,313	L 60 x 60 x 4	1,253		
L 30 x 30 x 2,5	0,388	L 60 x 60 x 5	1,553		
L 30 x 30 x 3	0,462	L 60 x 60 x 6	1,847		
L 30 x 30 x 4	0,605	L 60 x 60 x 8	2,419		
L 30 x 30 x 5	0,743	L 60 x 60 x 10	2,970		
L 35 x 35 x 2	0,367	L 70 x 70 x 2,5	0,928		
L 35 x 35 x 3	0,543	L 70 x 70 x 5	1,823		
L 35 x 35 x 4	0,713	L 70 x 70 x 6	2,171		

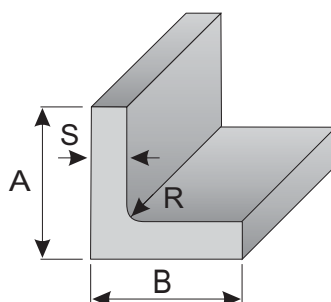


Angles anodised E6C0 15 mμ

A x B x S	kg/m
L 20 x 10 x 2 3 m	0,151
L 50 x 50 x 3 6 m	0,786

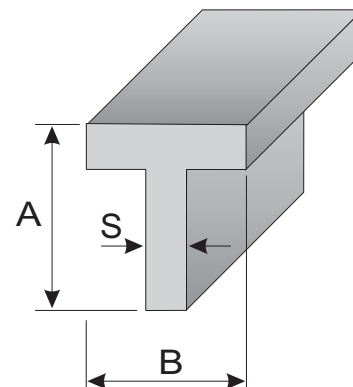
Angles symmetrical inside edge rounded

A x B x S	Ri	kg/m
L 25 x 25 x 2,5	2,5	0,321



T - Sections

A x B x S	kg/m	A x B x S	kg/m
T 15 x 15 x 2	0,1512	T 45 x 110 x 2	0,8262
T 15 x 30 x 2	0,2322	T 50 x 50 x 3	0,7857
T 20 x 20 x 2	0,2052	T 50 x 50 x 4	1,0368
T 20 x 20 x 3	0,2997	T 50 x 50 x 5	1,2825
T 20 x 40 x 2	0,3132	T 50 x 70 x 5	1,5525
T 25 x 25 x 2	0,2592	T 50 x 80 x 5	1,6875
T 25 x 25 x 3	0,3807	T 60 x 60 x 4	1,2528
T 30 x 20 x 2	0,2592	T 60 x 60 x 6	1,8468
T 30 x 30 x 2	0,3132	T 60 x 100 x 5	2,0925
T 30 x 30 x 3	0,4617	T 80 x 50 x 5	1,6875
T 30 x 60 x 4	0,9288	T 80 x 80 x 8	3,2832
T 35 x 35 x 3	0,5427	T 100 x 60 x 5	2,0925
T 40 x 40 x 2	0,4212	T 100 x 100 x 3,5	1,8569
T 40 x 40 x 3	0,6237	T 100 x 100 x 6	3,1428
T 40 x 40 x 4	0,8208	T 100 x 100 x 10	5,1300
T 45 x 80 x 2	0,6642		

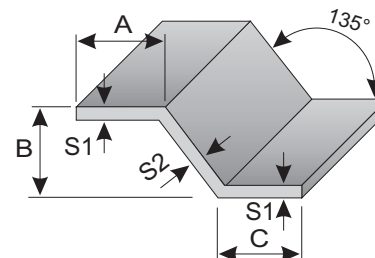
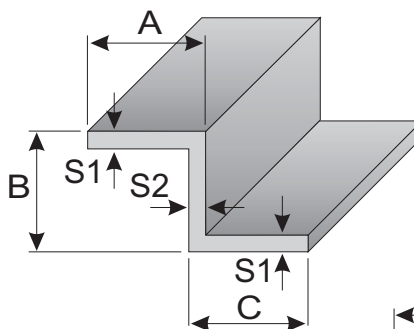


Alloy: AlMgSi EN AW-6060 T66 (AlMgSi 0,5 F22)

Length: 6000 mm

Z - Sections

A x B x C x S1 x S2	kg/m
Z 12 x 12 x 10 x 2 x 2	0,162
Z 15 x 15 x 15 x 2 x 2	0,221
Z 17 x 32 x 17 x 2 x 2	0,335
Z 18 x 43 x 18 x 3 x 3	0,591
Z 18 x 50 x 18 x 3 x 3	0,648
Z 20 x 20 x 20 x 2 x 2	0,302
Z 20 x 20 x 20 x 3 x 3	0,437
Z 24 x 18 x 24 x 3 x 3	0,486
Z 24 x 60 x 24 x 2 x 2	0,562
Z 25 x 25 x 25 x 3 x 3	0,559
Z 25 x 30 x 25 x 3 x 3	0,599
Z 30 x 30 x 30 x 3 x 3	0,680
Z 30 x 40 x 30 x 3 x 3	0,761
Z 30 x 50 x 30 x 3 x 3	0,842
Z 30 x 60 x 30 x 2 x 2	0,626
Z 35 x 50 x 35 x 3 x 3	0,923
Z 40 x 40 x 40 x 2,5 x 2,5	0,776
Z 40 x 40 x 40 x 3 x 3	0,923
Z 45 x 30 x 30 x 2 x 2	0,545
Z 50 x 50 x 50 x 4 x 4	1,534

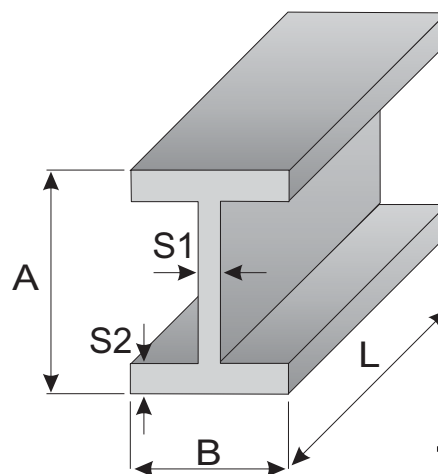


Z - Sections 135°

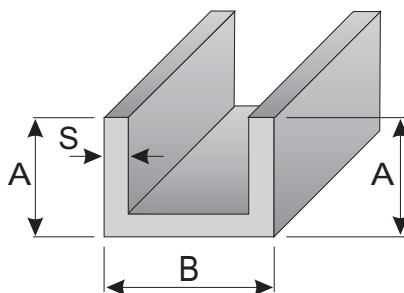
A x B x C x S1 x S2	kg/m
Z 135° 15 x 22 x 15 x 2 x 2	0,320
Z 135° 30 x 45 x 30 x 2 x 2	0,650

Double T - Sections (I-Beams)

A x B x S1 x S2	kg/m	L	Alloy
H 25 x 25 x 2 x 2	0,380	6 m	EN AW-6060 T66
H 65 x 42,5 x 2,5 x 2,5	0,980	6 m	EN AW-6060 T66
TT 100 x 50 x 5 x 7	3,051	6 m	EN AW-6060 T66
TT 100 x 80 x 6 x 8	4,817	6 m	EN AW-6005 (A) T6
TT 100 x 80 x 6 x 8	4,817	10 m	EN AW-6005 (A) T6
TT 100 x 100 x 10 x 10	7,560	6 m	EN AW-6082 T6
TT 100 x 100 x 10 x 10	7,560	10 m	EN AW-6082 T6
TT 120 x 120 x 8 x 8	7,430	6 m	EN AW-6060 T66
TT 122 x 158 x 5 x 6	6,604	6 m	EN AW-6005 (A) T6
TT 140 x 90 x 8 x 10	7,452	6 m	EN AW-6005 (A) T6
TT 140 x 90 x 8 x 10	7,452	10 m	EN AW-6082 T6
TT 160 x 120 x 6 x 8	7,517	6 m	EN AW-6082 T6
TT 160 x 120 x 6 x 8	7,517	10 m	EN AW-6082 T6



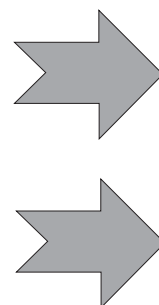
U - Channels

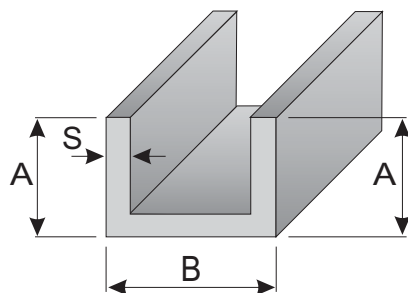


	A x	B x	A x S	kg/m		A x B	x A x S	kg/m
U	6 x	6 x	6 x 1	0,043	U	30 x 25	x 30 x 2	0,437
U	8 x	8 x	8 x 1	0,059	U	32 x 25	x 32 x 2	0,459
U	12 x	8 x	12 x 1	0,081	U	40 x 25	x 40 x 2	0,545
U	9 x	9 x	9 x 1,5	0,097	U	40 x 25	x 40 x 3	0,802
U	10 x	10 x	10 x 1	0,080	U	50 x 25	x 50 x 2	0,660
U	10 x	10 x	10 x 1,5	0,109	U	10 x 30	x 10 x 2	0,250
U	10 x	10 x	10 x 2	0,140	U	15 x 30	x 15 x 2	0,302
U	15 x	10 x	15 x 1,5	0,150	U	15 x 30	x 15 x 3	0,437
U	20 x	10 x	20 x 2	0,248	U	20 x 30	x 20 x 2	0,356
U	30 x	10 x	30 x 2	0,356	U	20 x 30	x 20 x 3	0,518
U	15 x	11 x	15 x 2	0,200	U	30 x 30	x 30 x 2	0,464
U	12 x	12 x	12 x 2	0,173	U	30 x 30	x 30 x 3	0,680
U	20 x	12 x	20 x 2	0,259	U	40 x 30	x 40 x 2	0,580
U	7 x	13,2 x	7 x 1,2 (6,5m)	0,080	U	40 x 30	x 40 x 3	0,842
U	13 x	13 x	13 x 2	0,189	U	50 x 30	x 50 x 3	1,010
U	20 x	13 x	20 x 1,25	0,170	U	15 x 35	x 15 x 2	0,329
U	14 x	14 x	14 x 2	0,205	U	20 x 35	x 20 x 2	0,383
U	15 x	15 x	15 x 1,5	0,170	U	25 x 35	x 25 x 2	0,437
U	15 x	15 x	15 x 2	0,221	U	35 x 35	x 35 x 2	0,545
U	15 x	15 x	15 x 3	0,316	U	35 x 35	x 35 x 3	0,802
U	20 x	15 x	20 x 1,5	0,211	U	15 x 40	x 15 x 2	0,356
U	20 x	15 x	20 x 2	0,275	U	15 x 40	x 15 x 4	0,670
U	30 x	15 x	30 x 3	0,559	U	20 x 40	x 20 x 2	0,410
U	18 x	18 x	18 x 2	0,270	U	20 x 40	x 20 x 2,5	0,506
U	19 x	19 x	19 x 3	0,413	U	20 x 40	x 20 x 3	0,599
U	20 x	19 x	20 x 1,25	0,200	U	20 x 40	x 20 x 4	0,778
U	10 x	20 x	10 x 1,5	0,150	U	25 x 40	x 25 x 2	0,464
U	10 x	20 x	10 x 2	0,194	U	25 x 40	x 25 x 3	0,680
U	15 x	20 x	15 x 2	0,280	U	30 x 40	x 30 x 2	0,518
U	20 x	20 x	20 x 1,5	0,231	U	30 x 40	x 30 x 3	0,761
U	20 x	20 x	20 x 2	0,302	U	30 x 40	x 30 x 4	0,994
U	20 x	20 x	20 x 3	0,437	U	40 x 40	x 40 x 2	0,626
U	25 x	20 x	25 x 1,5	0,270	U	40 x 40	x 40 x 2,5	0,776
U	25 x	20 x	25 x 2	0,356	U	40 x 40	x 40 x 3	0,923
U	28 x	20 x	28 x 1,5	0,300	U	40 x 40	x 40 x 4	1,210
U	30 x	20 x	30 x 1,5	0,310	U	40 x 40	x 40 x 5	1,485
U	30 x	20 x	30 x 2	0,410	U	60 x 40	x 60 x 3	1,247
U	40 x	20 x	40 x 2	0,518	U	20 x 45	x 20 x 2	0,437
U	40 x	20 x	40 x 2,5	0,641	U	25 x 45	x 25 x 2	0,491
U	40 x	20 x	40 x 4	0,994	U	25 x 45	x 25 x 3	0,720
U	20 x	22 x	20 x 2	0,313	U	32 x 45	x 32 x 2	0,567
U	23 x	23 x	23 x 1,5	0,267	U	45 x 45	x 45 x 2,5	0,880
U	15 x	25 x	15 x 2	0,275	U	12 x 45,5	x 12 x 2,5	0,441
U	19 x	25 x	19 x 3	0,462	U	15 x 50	x 15 x 2	0,410
U	20 x	25 x	20 x 2	0,329	U	20 x 50	x 20 x 2	0,464
U	20 x	25 x	20 x 2,5	0,405	U	25 x 50	x 25 x 2	0,518
U	20 x	25 x	20 x 3	0,478	U	25 x 50	x 25 x 2,5	0,641
U	25 x	25 x	25 x 1,5	0,290	U	25 x 50	x 25 x 4	0,994
U	25 x	25 x	25 x 2	0,383	U	30 x 50	x 30 x 2	0,572
U	25 x	25 x	25 x 3	0,559				

Alloy: EN AW-6060 T66 (AlMgSi 0,5 F22)

Length: 6 m





U - Channels

A	x	B	x	A	x	S	kg/m	A	x	B	x	A	x	S	kg/m		
U	30	x	50	x	30	x	3	0,842	U	45	x	80	x	45	x	6	2,560
U	30	x	50	x	30	x	4	1,102	U	50	x	80	x	50	x	3	1,409
U	40	x	50	x	40	x	3	1,010	U	50	x	80	x	50	x	5	2,295
U	40	x	50	x	40	x	4	1,318	U	60	x	80	x	60	x	5	2,565
U	50	x	50	x	50	x	2	0,788	U	80	x	80	x	80	x	4	2,510
U	50	x	50	x	50	x	3	1,166	U	40	x	86	x	40	x	3	1,360
U	50	x	50	x	50	x	4	1,534	U	40	x	86	x	40	x	3	(2,115m) 1,360
U	50	x	50	x	50	x	5	1,890	U	20	x	90	x	20	x	2,5	0,850
U	20	x	55	x	20	x	2	0,491	U	40	x	90	x	40	x	3	1,328
U	45	x	55	x	45	x	2	0,761	U	50	x	90	x	50	x	3	1,490
U	20	x	60	x	20	x	2	0,518	U	50	x	90	x	50	x	5	2,430
U	25	x	60	x	25	x	2,5	0,750	U	20	x	100	x	20	x	2	0,734
U	25	x	60	x	25	x	3	0,842	U	40	x	100	x	40	x	3	1,409
U	30	x	60	x	30	x	2	0,626	U	40	x	100	x	40	x	10	4,320
U	30	x	60	x	30	x	3	0,923	U	50	x	100	x	50	x	3	1,571
U	30	x	60	x	30	x	4	1,210	U	50	x	100	x	50	x	5	2,565
U	40	x	60	x	40	x	2,5	0,911	U	50	x	100	x	50	x	10	4,860
U	40	x	60	x	40	x	3	1,085	U	60	x	100	x	60	x	6	3,370
U	40	x	60	x	40	x	4	1,426	U	100	x	100	x	100	x	3	2,381
U	40	x	60	x	40	x	5	1,755	U	40	x	106	x	40	x	3	1,458
U	50	x	60	x	50	x	2	0,840	U	20	x	120	x	20	x	2	0,842
U	50	x	60	x	50	x	3	1,247	U	40	x	120	x	40	x	3	1,571
U	60	x	60	x	60	x	3	1,409	U	40	x	120	x	40	x	4	2,074
U	60	x	60	x	60	x	4	1,858	U	40	x	120	x	40	x	5	2,565
U	60	x	60	x	60	x	5	2,295	U	60	x	120	x	60	x	5	3,105
U	60	x	60	x	60	x	6	2,722	U	60	x	120	x	60	x	8	4,840
U	25	x	65	x	25	x	2,5	0,743	U	80	x	125	x	80	x	8	5,800
U	55	x	65	x	55	x	2,5	1,148	U	40	x	140	x	40	x	3	1,733
U	20	x	70	x	20	x	2	0,572	U	60	x	140	x	60	x	7	4,649
U	35	x	70	x	35	x	3	1,090	U	70	x	140	x	70	x	8	5,700
U	40	x	70	x	40	x	3	1,166	U	80	x	160	x	80	x	8	6,566
U	70	x	70	x	70	x	5	2,703	U	60	x	170	x	60	x	4	3,060
U	20	x	80	x	20	x	2	0,626	U	60	x	170	x	60	x	4	(7,300m) 3,060
U	30	x	80	x	30	x	3	1,085	U	40	x	200	x	40	x	3	2,219
U	40	x	80	x	40	x	3	1,247	U	100	x	200	x	100	x	10	10,260
U	40	x	80	x	40	x	4	1,642	U	70	x	300	x	70	x	4	4,666
U	40	x	80	x	40	x	5	2,025	U	70	x	400	x	70	x	4	(6,000m) 5,750
U	45	x	80	x	45	x	3	1,328	U	70	x	400	x	70	x	4	(8,000m) 5,750

Alloy: EN AW-6060 T66 (AlMgSi 0,5 F22)

Length: 6000 mm



- contact points only on endings
- available in original packing units

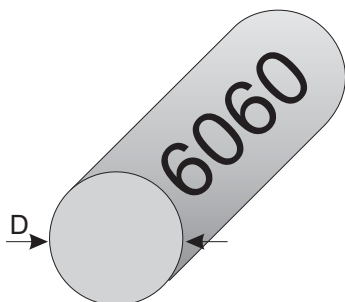
U-Channels anodised

E6C0 15 µm
 Length= 6150 mm

A	x	B	x	A	x	S	kg/m	
U	15	x	15	x	15	x	2	0,221
U	20	x	20	x	20	x	2	0,302
U	30	x	20	x	30	x	2	0,410
U	40	x	20	x	40	x	2	0,518

Round Bars

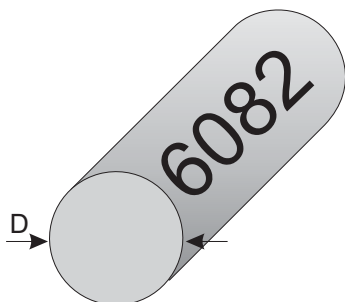
EN AW-6060 T66 (AlMgSi), length= 6000 mm, extruded



D	kg/m	D	kg/m
RD 5	0,053	RD 25	1,325
RD 6	0,076	RD 30	1,909
RD 8	0,136	RD 35	2,598
RD 8 T4	0,136	RD 40	3,393
RD 10	0,212	RD 45	4,294
RD 12	0,305	RD 50	5,301
RD 14	0,416	RD 55	6,415
RD 15	0,477	RD 60	7,634
RD 16 (5,97m)	0,543	RD 65	8,959
RD 16	0,543	RD 70	10,391
RD 18	0,687	RD 80	13,572
RD 20	0,848	RD 90 (3,00m)	17,177
RD 22	1,026		

Round Bars

EN AW-6082 T6 (AlSi1MgMn), length= 3000 mm



D	kg/m	D	kg/m
RD 9 drawn	0,172	RD 85 extruded	15,321
RD 10 drawn	0,212	RD 90 extruded	17,177
RD 12 drawn	0,305	RD 95 extruded	19,138
RD 13 drawn	0,358	RD 100 extruded	21,206
RD 14 drawn	0,416	RD 105 extruded	23,379
RD 15 drawn	0,477	RD 110 extruded	25,659
RD 16 drawn	0,543	RD 115 extruded	28,045
RD 18 drawn	0,687	RD 120 extruded	30,536
RD 20 drawn	0,848	RD 125 extruded	33,134
RD 22 drawn	1,026	RD 130 extruded	35,838
RD 24 extruded	1,221	RD 135 extruded	38,647
RD 25 drawn	1,325	RD 140 extruded	41,563
RD 26 extruded	1,434	RD 145 extruded	44,585
RD 30 extruded	1,909	RD 150 extruded	47,713
RD 30 drawn	1,909	RD 160 extruded	54,287
RD 32 drawn	2,171	RD 170 extruded	61,284
RD 35 drawn	2,598	RD 180 extruded	68,706
RD 40 extruded	3,393	RD 190 extruded	76,553
RD 40 drawn	3,393	RD 200 extruded	84,823
RD 45 drawn	4,294	RD 210 extruded	93,517
RD 50 extruded	5,301	RD 220 extruded	102,636
RD 50 drawn	5,301	RD 225 extruded	107,354
RD 55 extruded	6,415	RD 230 extruded	112,178
RD 55 drawn	6,415	RD 240 extruded	122,145
RD 60 extruded	7,634	RD 250 extruded	132,536
RD 60 drawn	7,634	RD 260 extruded	143,351
RD 65 extruded	8,959	RD 270 extruded	154,590
RD 70 extruded	10,391	RD 280 extruded	166,253
RD 75 extruded	11,928	RD 290 extruded	178,340
RD 80 extruded	13,572	RD 300 extruded	190,851



NEW

We cut profiles on customer's requests

...ranging from small quantities to mass production...

Round Bars

EN AW-1350 A/EAl 99,5 H112

	D		kg/m
RD	20	(5m)	0,848
RD	25	(5m)	1,325

Round Bars

EN AW-2011(AICu6BiPb)

	D		kg/m
RD	40	(3m)	3,585

Round Bars

EN AW-2007 T3 drawn (AlCu4PbMgMn), length= 3000 mm

EN AW-2007 T4 extruded (AlCu4PbMgMn), length= 3000 mm

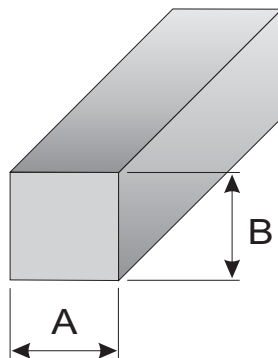
	D		kg/m		D		kg/m
RD	6	drawn	0,081	RD	63	drawn	8,888
RD	8	drawn	0,143	RD	65	extruded	9,461
RD	10	drawn	0,224	RD	70	extruded	10,973
RD	11	drawn	0,271	RD	75	extruded	12,596
RD	12	drawn	0,322	RD	80	extruded	14,332
RD	13	drawn	0,378	RD	85	extruded	16,179
RD	14	drawn	0,439	RD	90	extruded	18,139
RD	15	drawn	0,504	RD	95	extruded	20,210
RD	16	drawn	0,573	RD	100	extruded	22,393
RD	17	drawn	0,647	RD	105	extruded	24,689
RD	18	drawn	0,726	RD	110	extruded	27,096
RD	19	drawn	0,808	RD	115	extruded	29,615
RD	20	drawn	0,896	RD	120	extruded	32,246
RD	22	drawn	1,084	RD	125	extruded	34,989
RD	24	drawn	1,290	RD	130	extruded	37,845
RD	25	drawn	1,400	RD	140	extruded	43,891
RD	26	drawn	1,514	RD	150	extruded	50,385
RD	27	drawn	1,632	RD	155	extruded	53,800
RD	28	drawn	1,756	RD	160	extruded	57,327
RD	30	drawn	2,015	RD	170	extruded	64,716
RD	32	drawn	2,293	RD	180	extruded	72,554
RD	35	drawn	2,743	RD	190	extruded	80,839
RD	40	drawn	3,583	RD	200	extruded	89,573
RD	42	drawn	3,950	RD	210	extruded	98,754
RD	44	drawn	4,335	RD	220	extruded	108,383
RD	45	drawn	4,535	RD	230	extruded	118,460
RD	48	drawn	5,159	RD	240	extruded	128,985
RD	50	drawn	5,598	RD	250	extruded	139,958
RD	52	drawn	6,055	RD	260	extruded	151,378
RD	55	extruded	6,774	RD	270	extruded	163,247
RD	55	drawn	6,774	RD	280	extruded	175,563
RD	60	extruded	8,062	RD	290	extruded	188,327
RD	60	drawn	8,062	RD	300	extruded	201,539
RD	62	drawn	8,608				



Square Bars

EN AW-6060 T66 (AlMgSi)
 l= 6000 mm, extruded

	A x B	kg/m
VK	4 x 4	0,043
VK	5 x 5	0,068
VK	6 x 6 (R=0,5)	0,097
VK	8 x 8	0,173
VK	10 x 10	0,270
VK	12 x 12	0,389
VK	14 x 14	0,529
VK	15 x 15	0,608
VK	16 x 16	0,691
VK	18 x 18	0,875
VK	20 x 20	1,080
VK	25 x 25	1,688
VK	30 x 30	2,430
VK	35 x 35	3,308
VK	40 x 40	4,320
VK	45 x 45	5,468
VK	50 x 50	6,750
VK	55 x 55	8,168
VK	60 x 60	9,720
VK	70 x 70	13,230
VK	80 x 80	17,280
VK	90 x 90 (3m)	21,870



Square Bars

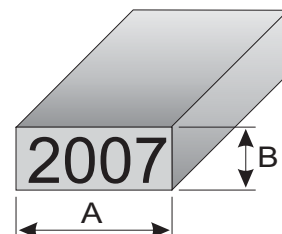
EN AW-2007 T3 drawn
 EN AW-2007 T4 extruded
 (AlCu4PbMgMn), l= 3000 mm

	A x B		kg/m
VK	10 x 10	drawn	0,29
VK	12 x 12	drawn	0,41
VK	15 x 15	drawn	0,64
VK	16 x 16	drawn	0,73
VK	20 x 20	drawn	1,14
VK	25 x 25	drawn	1,78
VK	30 x 30	drawn	2,57
VK	40 x 40	drawn	4,56
VK	50 x 50	extruded	7,13
VK	50 x 50	drawn	7,13
VK	60 x 60	extruded	10,26
VK	60 x 60	drawn	10,26
VK	70 x 70	extruded	13,97
VK	80 x 80	extruded	18,25
VK	90 x 90	extruded	23,09
VK	100 x 100	extruded	28,51
VK	110 x 110	extruded	34,50
VK	120 x 120	extruded	41,06
VK	130 x 130	extruded	48,19
VK	140 x 140	extruded	55,88
VK	150 x 150	extruded	64,15
VK	160 x 160	extruded	72,99
VK	180 x 180	extruded	92,38
VK	200 x 200	extruded	114,05

Square Bars

EN AW-6082 T6
 (AlSi1MgMn), l= 3000 mm

	A x B		kg/m
VK	15 x 15	drawn	0,61
VK	20 x 20	drawn	1,08
VK	25 x 25	drawn	1,69
VK	30 x 30	extruded	2,43
VK	30 x 30	drawn	2,43
VK	40 x 40	drawn	4,32
VK	50 x 50	extruded	6,75
VK	50 x 50	drawn	6,75
VK	60 x 60	extruded	9,72
VK	60 x 60	drawn	9,72
VK	70 x 70	extruded	13,23
VK	80 x 80	extruded	17,28
VK	90 x 90	extruded	21,87
VK	100 x 100	extruded	27,00
VK	110 x 110	extruded	32,67
VK	120 x 120	extruded	38,88
VK	140 x 140	extruded	52,92
VK	150 x 150	extruded	60,75
VK	200 x 200	extruded	108,00



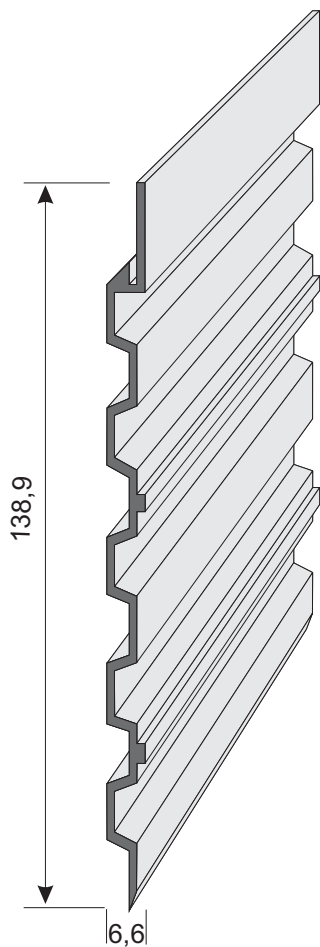
Flat Bars

EN AW-2007 T4
 (AlCu4PbMgMn), l= 3000 mm

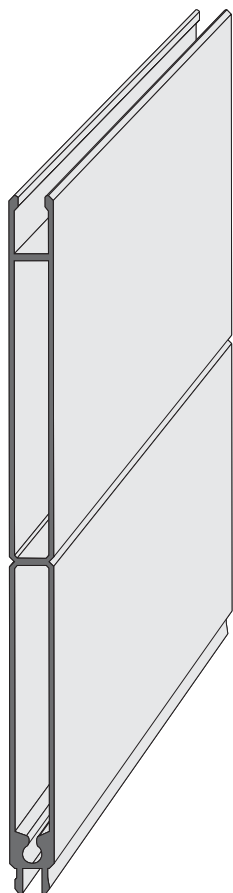
	A x B	kg/m		A x B	kg/m
FL	20 x 10	0,570	FL	60 x 20	3,420
FL	20 x 15	0,855	FL	60 x 30	5,130
FL	25 x 10	0,713	FL	60 x 40	6,840
FL	30 x 8	0,684	FL	70 x 20	3,990
FL	30 x 10	0,855	FL	70 x 30	5,985
FL	30 x 20	1,710	FL	70 x 50	9,975
FL	40 x 10	1,140	FL	80 x 20	4,560
FL	40 x 15	1,710	FL	80 x 25	5,700
FL	40 x 20	2,280	FL	80 x 30	6,840
FL	40 x 30	3,420	FL	80 x 50	11,400
FL	50 x 10	1,425	FL	100 x 12	3,420
FL	50 x 15	2,138	FL	100 x 25	7,125
FL	50 x 20	2,850	FL	100 x 40	11,400
FL	50 x 25	3,563	FL	100 x 50	14,250
FL	50 x 30	4,275	FL	120 x 50	17,100
FL	50 x 40	5,700	FL	150 x 20	8,550
FL	60 x 15	2,565			

Special Profiles

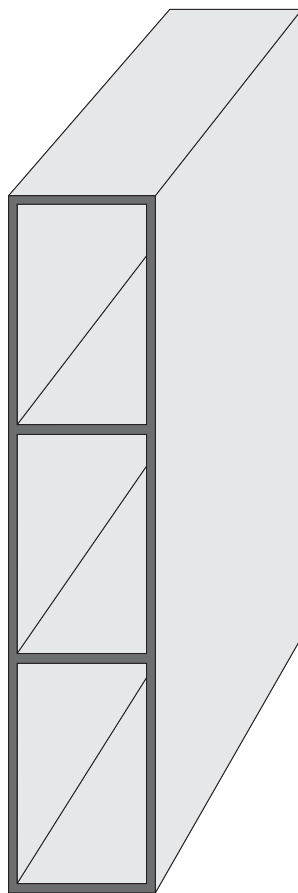
Alloy: EN-AW 6060 T66 (AlMgSi 0,5 F22)



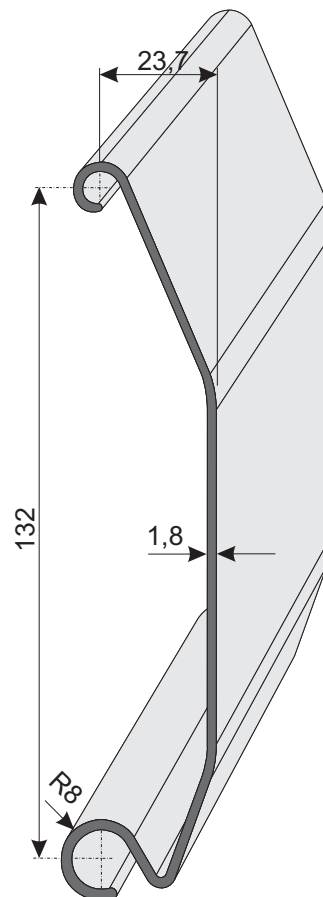
P 9256
 Paneling Profile
 139 x 6,6
 Length 6 m



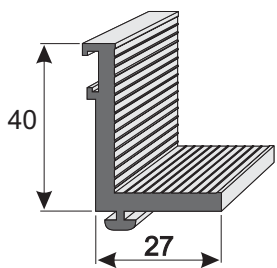
P 9279
 Sight Protection Profile
 124 x 8,5
 available in
 length 6 m and 6,5 m



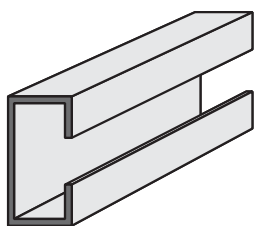
Rectangular tube
 with 2 bars
 120,3 x 25 x 1,45 mm
 Length 6 m
 (more on page 9)



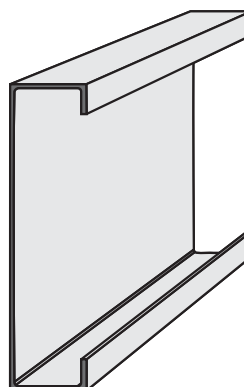
P-R 132
 Roller Shutter Profile
 Length 6120 mm



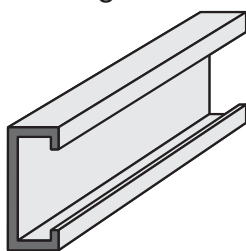
P11
 Door block
 40 x 27 x 4
 Length 6 m



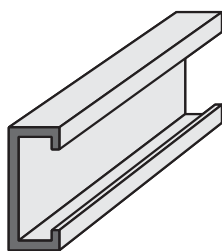
C-Profile 30 x 15 x 1,5
 Hole 11 mm
 Length 6 m



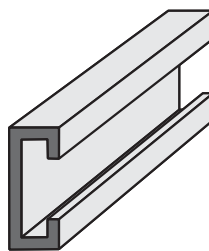
C-Profile 125 x 30 x 1,7
 Hole 100 mm
 Length 6 m



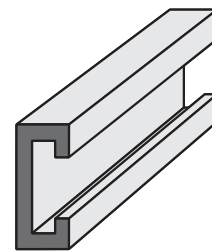
P03
 C-Profile 25 x 10 x 1,5
 Hole 18 mm
 Length 6 m



P24
 C-Profile 24,3 x 10 x 1,5
 Hole 19,1 mm
 Length 6 m



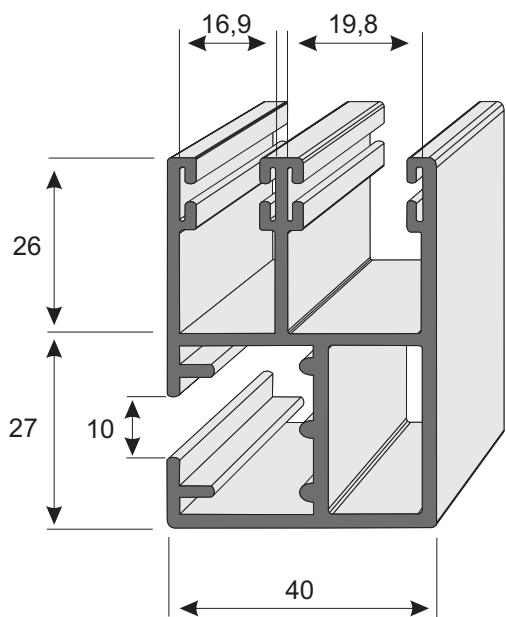
P245
 C-Profile 24,5 x 10 x 2
 Hole 14,5 mm
 Length 6 m



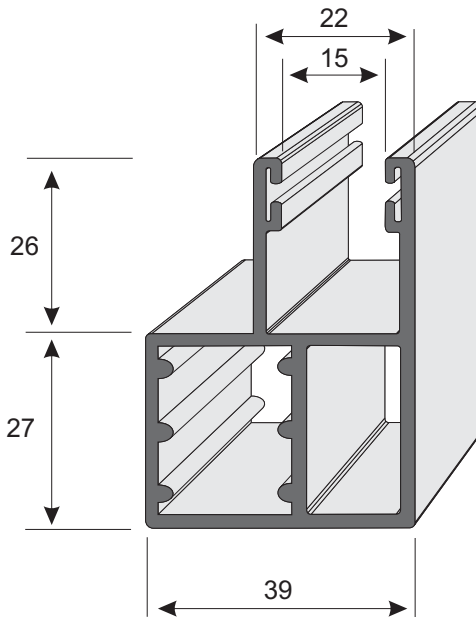
P25
 C-Profile 25 x 10 x 2,5
 Hole 13 mm
 Length 6 m

Special Profiles

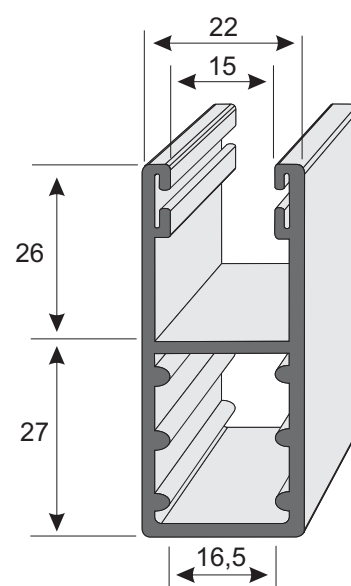
Alloy: EN-AW 6060 T66 (AlMgSi 0,5 F22)



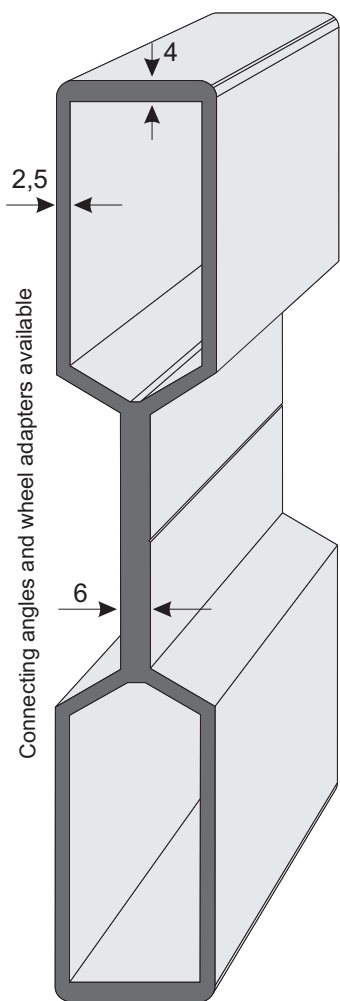
B09
 Special Profile 53 x 40
 Length 6 m



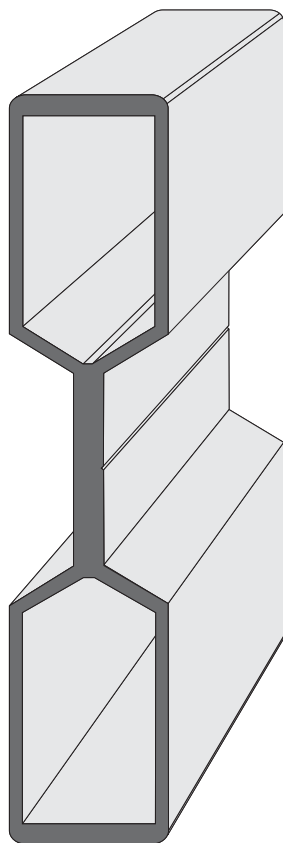
B07
 Special Profile 53 x 39
 Length 6 m



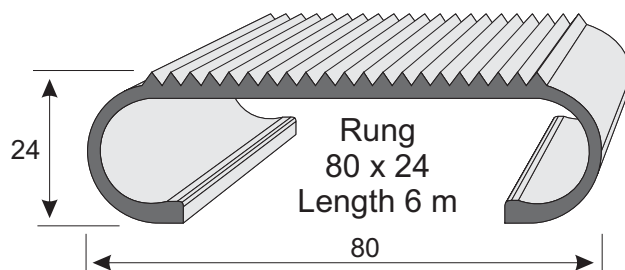
B01
 Special Profile 53 x 22
 Length 6 m



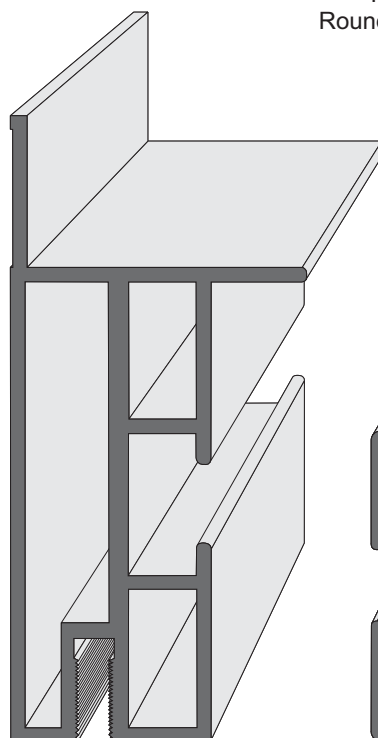
P Z175
 Architrave 175x30



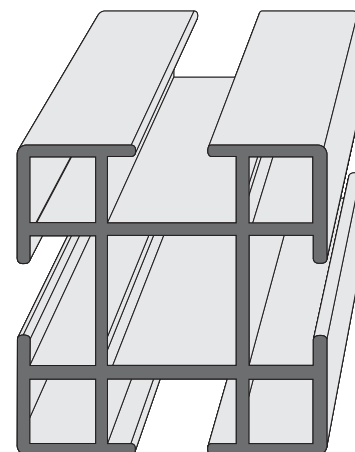
P Z140
 Architrave 140x30



Round bars 16 mm
 Round tubes 16 x 4 or 16 x 3
 can be clipped in



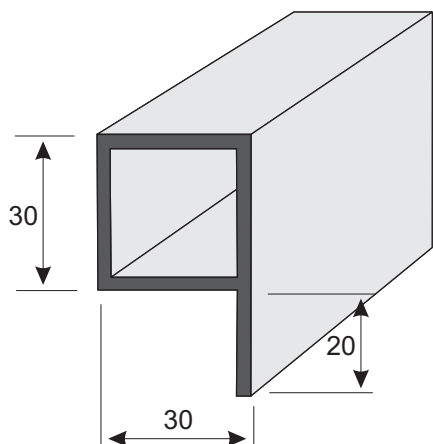
P10077
 Frame Profile
 90,20 x 43,50 mm
 Length 6100 mm



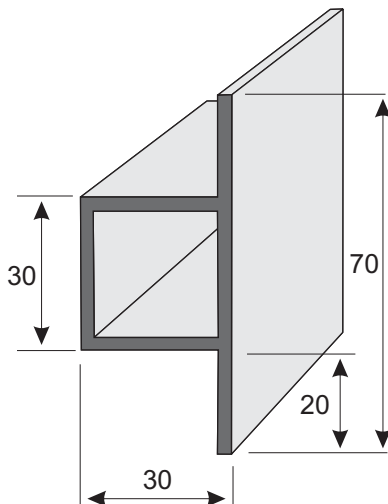
P10054
 Frame Profile
 50 x 50 x 2 mm
 (square tube 55x55x2 page 10)

Special Profiles

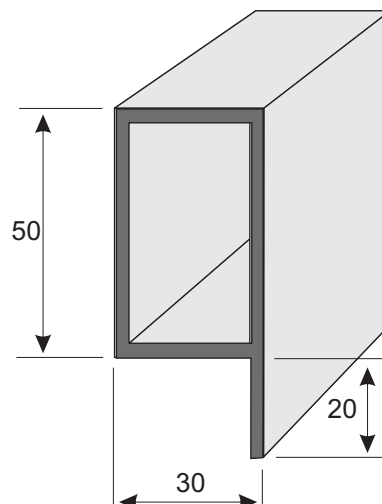
Alloy: EN-AW 6060 T66 (AlMgSi 0,5 F22)



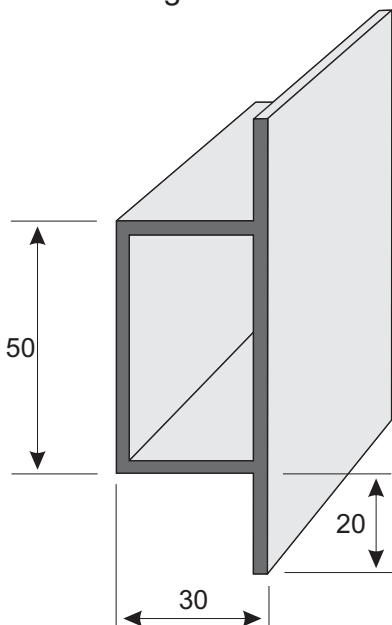
P51
 Square Tube 50 x 30 x 30 x 2
 Length 6 m



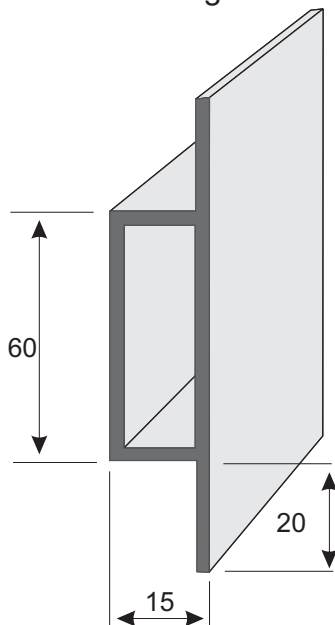
P73
 Square Tube 70 x 30 x 30 x 2
 Length 6 m



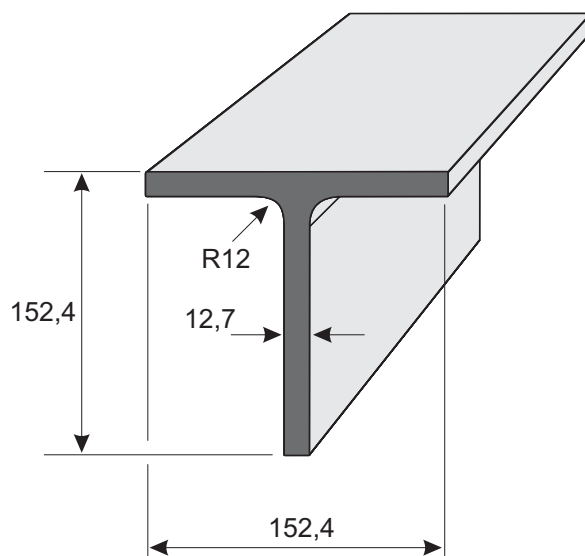
P70
 Square Tube 70 x 50 x 30 x 2
 Length 6 m



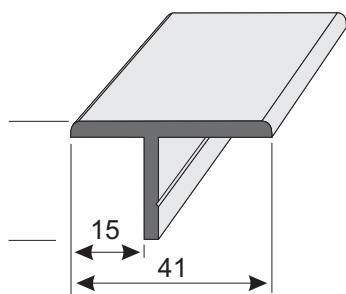
P93
 Rect. Tube 90 x 50 x 30 x 2
 Length 6 m



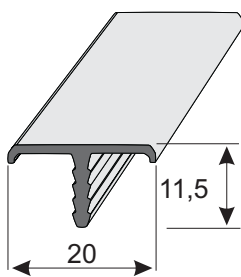
P60
 Rect. Tube 100 x 60 x 15 x 2
 Length 6 m



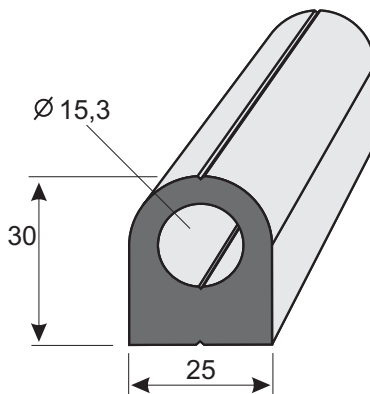
T-Profile 152,4 x 152,4 x 12,7
 with radius 12
 EN AW 6082 T6, EN 755-9
 Length 6 m



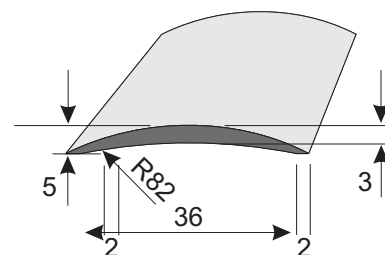
P41
 T-Profile 41 x 22 x 3
 Length 6 m



P200
 Edge - Protection
 anodised A6C0
 Length 5 m

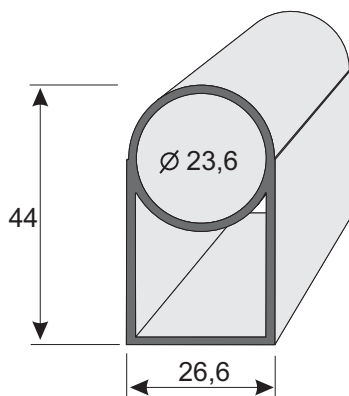


P05
 30 x 25
 Length 6 m

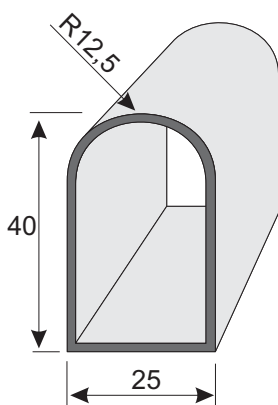


Crescentshaped Profile
 40 x 5 mm
 Length 6,5 m

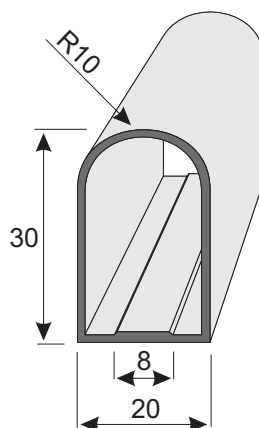
Special Profiles



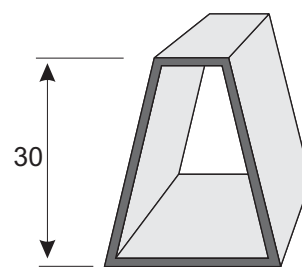
P23
 44 x 26,6 x 1,2
 Length 6 m



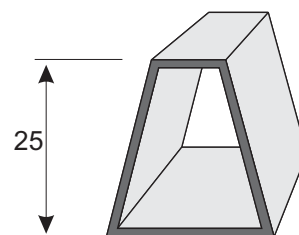
P9231
 Semicircular Profile
 40 x 25 x 1,3
 Length 6 m



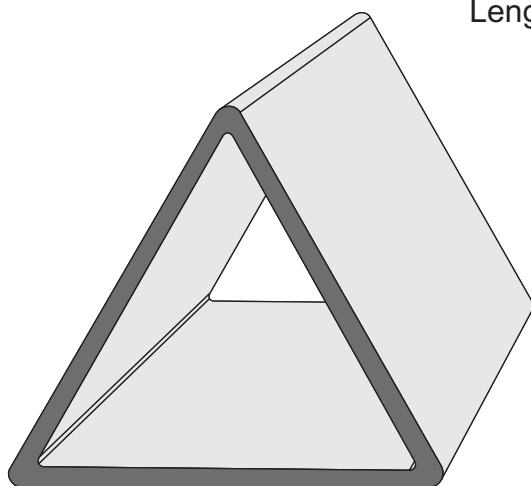
P9268
 Semicircular Profile
 30 x 20 x 1,3
 Length 6 m



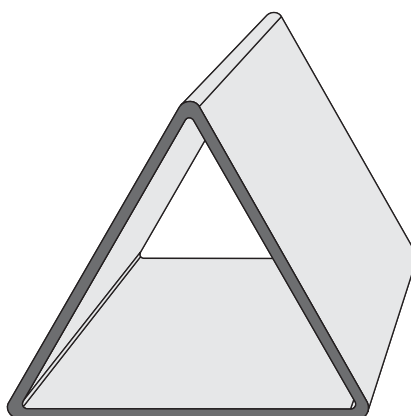
P9227 Profile Trapezoid
 30 x 25 x 10 x 1,3
 Length 6 m



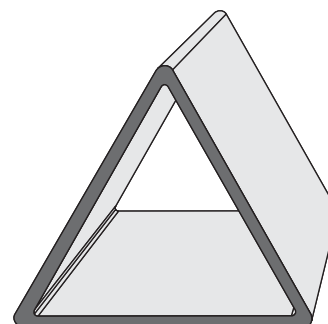
P9254 Profile Trapezoid
 25 x 22 x 10 x 1,2
 Length 6 m



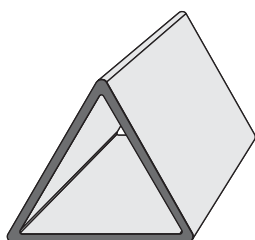
D100
 Triangle Tube
 100 x 100 x 2,5
 Length 6 m



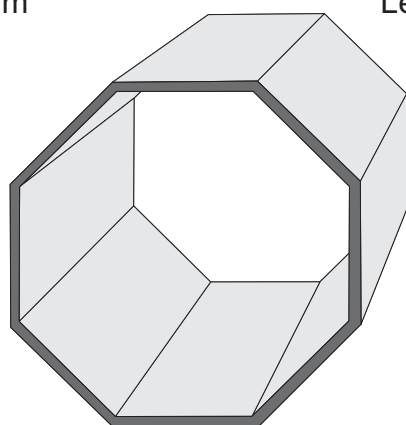
D70
 Triangle Tube
 70 x 70 x 1,2
 Length 6 m



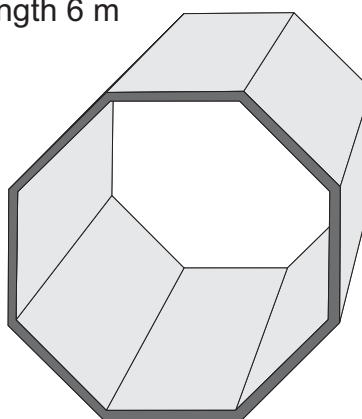
D50
 Triangle Tube
 50 x 50 x 1,5
 Length 6 m



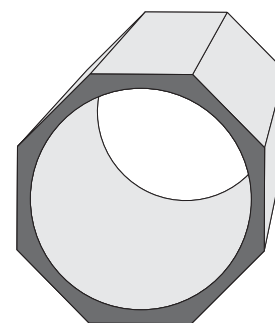
D30
 Triangle Tube
 30 x 30 x 1,5
 Length 6 m
 with or without
 radius available



A72
 Octagonal Profile
 72 x 2,5
 Length 6 m



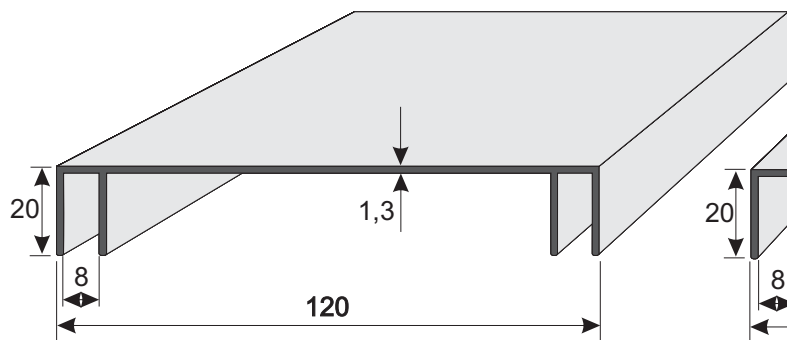
A60
 Octagonal Profile
 60 x 1,5
 Length 6 m



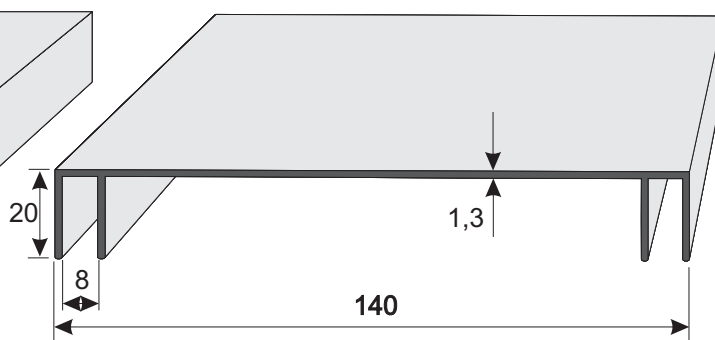
A45
 Octagonal Profile
 45 x 2
 ID 40,4
 Length 6 m

Special Profiles

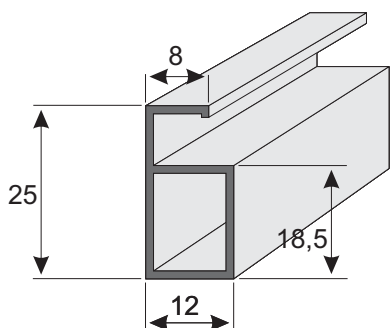
Alloy: EN-AW 6060 T66 (AlMgSi 0,5 F22)



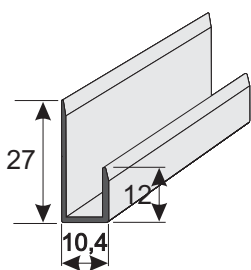
P28
 Light Box Profile
 120 x 20 x 1,3 mm
 Length 6 m



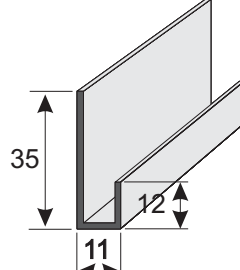
P29
 Light Box Profile
 140 x 20 x 1,3 mm
 Length 6 m



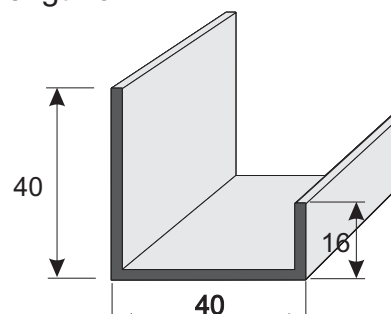
P17
 Insect Protection Profile
 Length 6 m



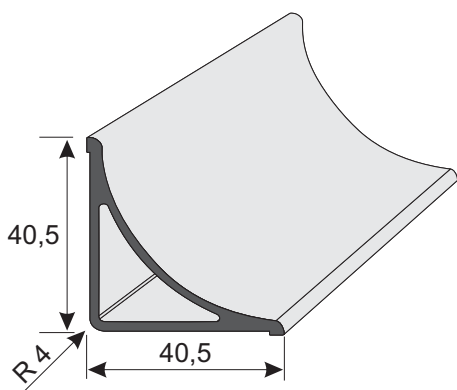
U-Channel
 27x10,4x12x1/1,2 mm
 Length 6 m



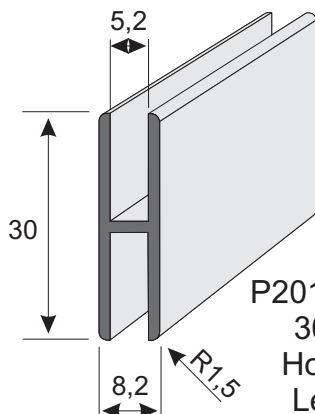
U-Channel
 35x11x12x1,5 mm
 Length 6 m



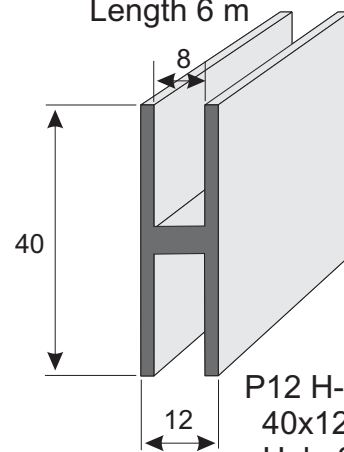
U-Channel
 40x40x16x2 mm
 Length 6 m



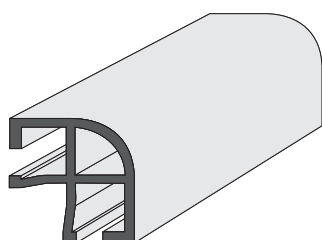
P36
 Connecting Walls Profile
 40,5x40,5x2x1,6 mm
 Length 6 m



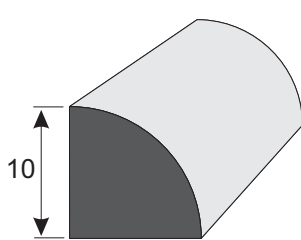
P20160 H-Profile
 30x8,2x1,5
 Hole 5,2 mm
 Length 6 m



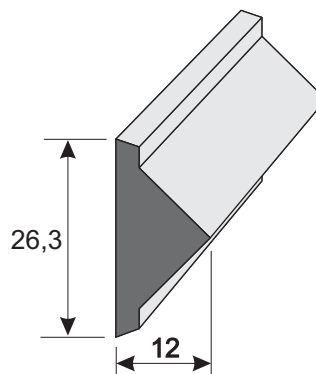
P12 H-Profile
 40x12x2x4
 Hole 8 mm
 Length 6 m



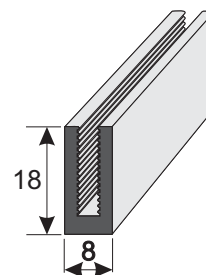
P126 Edge Profile
 20 x 13, anodised A6C0
 Length 6 m



P100 Quarter Round
 10x10 mm, radius 10
 Length 6 m



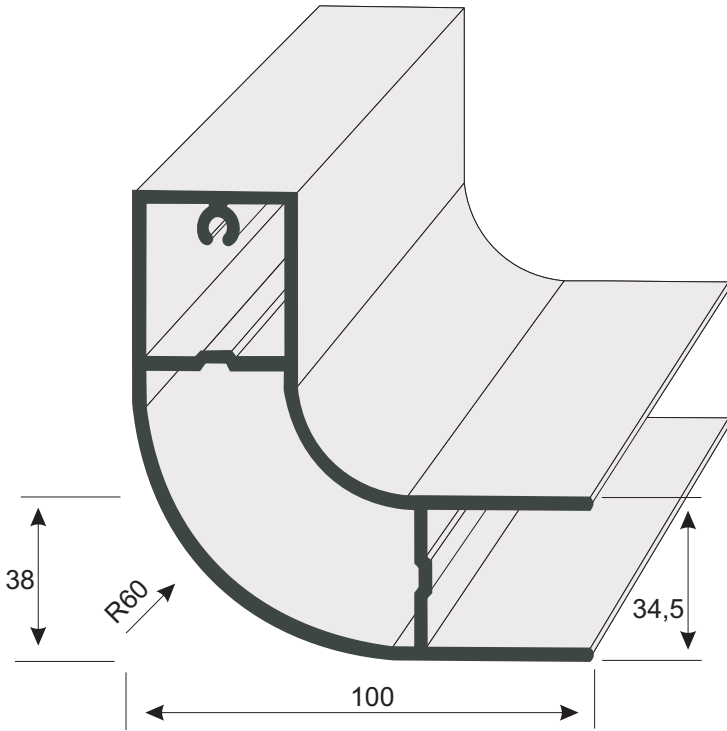
P07 Bead
 Length 7,75 m



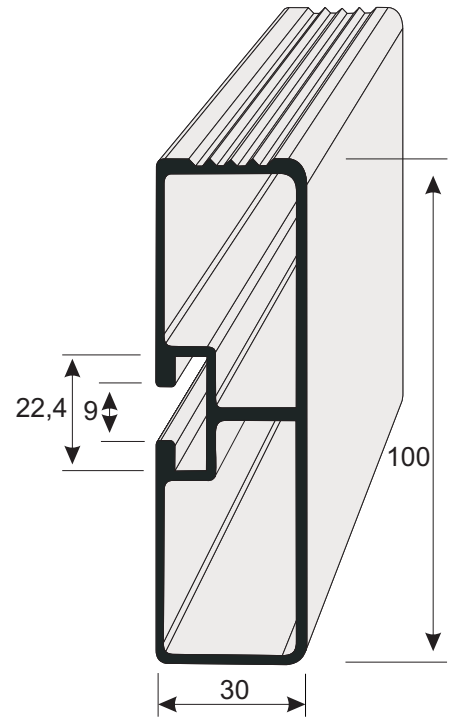
P32 Enclosure Profile
 18x8x2,4 mm
 Hole 3,2 mm

Special Profiles

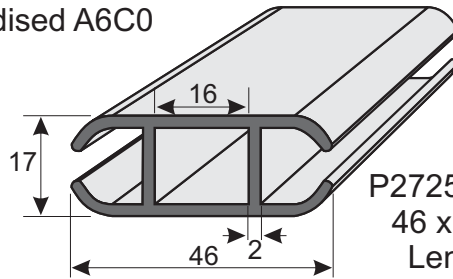
Alloy: EN-AW 6060 T66 (AlMgSi 0,5 F22)



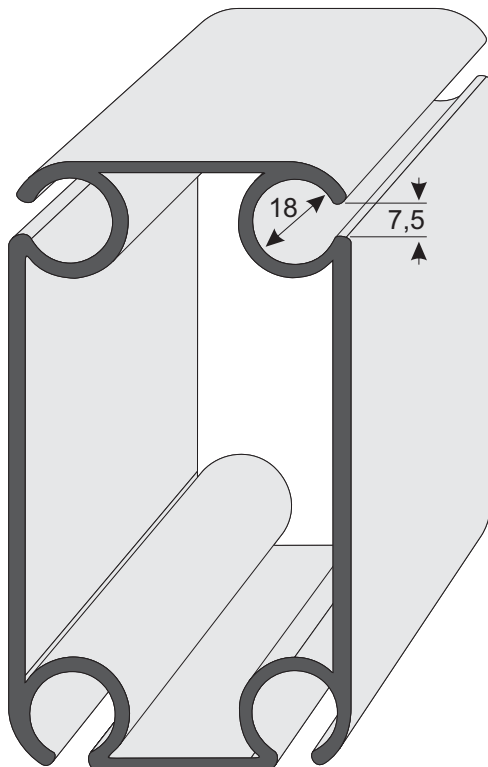
P9160 Rejection Profile
 100x100x34,5x1,8 mm, anodised A6C0
 Length 6,1 m



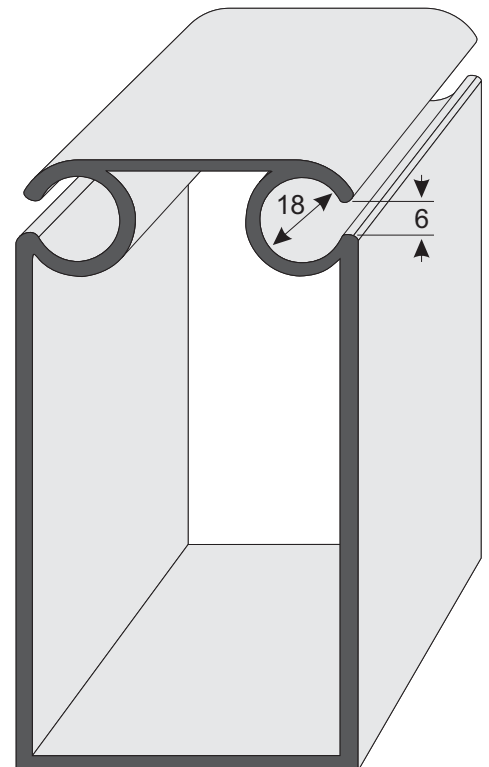
P9161 Cycle Protection Profile
 100x30x2 mm, anodised A6C0
 Length 7 m



P2725 channel rail
 46 x 17 x 2 mm
 Length 6,5 m



P1374 Tent Construction Profile, 4 beadings
 EN AW 6005A T6, EN 12020-2
 130x70x3 mm, Length 8 m



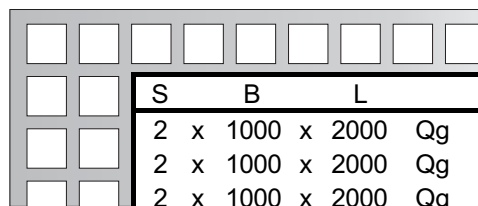
P1372 Tent Construction Profile, 2 beadings
 EN AW 6005A T6, EN 12020-2
 130x70x3 mm, Length 8 m

Sheets Pure Aluminium EN AW-1050A (Al 99,5)

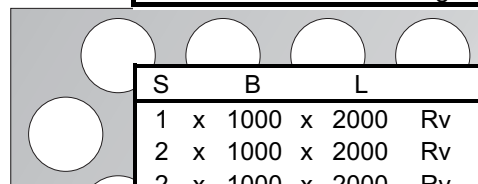
S	B	L	kg	
1	x 1000	x 2000	5,4	small format
1,5	x 1000	x 2000	8,1	
2	x 1000	x 2000	10,8	
3	x 1000	x 2000	16,2	
4	x 1000	x 2000	21,6	
5	x 1000	x 2000	27,0	
6	x 1000	x 2000	32,4	
10	x 1000	x 2000	54,0	
1	x 1250	x 2500	8,4	middle format
1,2	x 1250	x 2500	10,1	
1,5	x 1250	x 2500	12,7	
2	x 1250	x 2500	16,9	
3	x 1250	x 2500	25,3	
4	x 1250	x 2500	33,8	
5	x 1250	x 2500	42,2	
6	x 1250	x 2500	50,6	
1	x 1500	x 3000	12,2	large format
1,5	x 1500	x 3000	18,2	
2	x 1500	x 3000	24,3	
3	x 1500	x 3000	36,5	
4	x 1500	x 3000	48,6	
5	x 1500	x 3000	60,8	
1,5	x 1500	x 4000	24,3	special format
2	x 2000	x 4000	43,2	
3	x 2000	x 4000	64,8	

Perforated Sheets EN AW-1050A (Al99,5)

division = spacing from middle to middle of each hole



S	B	L	Qg	division	
2	x 1000	x 2000	Qg 5x5	8	
2	x 1000	x 2000	Qg 10x10	15	
2	x 1000	x 2000	Qg 20x20	50	
2	x 1000	x 2000	Qg 25x25	70	
2	x 1250	x 2500	Qg 5x5	8	
2	x 1250	x 2500	Qg 25x25	70	



S	B	L	Rv	Ø	division
1	x 1000	x 2000	Rv 2	3,5	
2	x 1000	x 2000	Rv 5	8	
2	x 1000	x 2000	Rv 8	12	
2	x 1000	x 2000	Rv 10	15	
2	x 1000	x 2000	Rv 15	21	
2	x 1250	x 2500	Rv 10	15	
2	x 1500	x 3000	Rv 10	15	

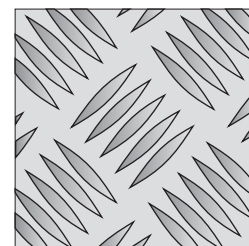
Sheet RAL 9010 60 µm powder coated EN AW-3105 H44

S	B	L	kg
2	x 1000	x 2000	10,8
2	x 1250	x 2500	16,7
1,2	x 1500	x 3000	15,0
2	x 1500	x 3000	25,0

single-sided foiled good for canting

Treadplates

Hight of Pattern 1,5 mm
 EN AW-5754 (AlMg3)



Sheets Aluminium Magnesium EN AW-5754 (AlMg3)

S	B	L	kg
2	x 1000	x 2000	10,8
3	x 1000	x 2000	16,2
5	x 1000	x 2000	27,0
6	x 1000	x 2000	33,0
8	x 1000	x 2000	43,2
10	x 1000	x 2000	54,0
12	x 1000	x 2000	64,8
15	x 1000	x 2000	81,0
20	x 1000	x 2000	108,0
5	x 1250	x 2500	41,6
8	x 1250	x 2500	67,5
2	x 1500	x 3000	24,3
3	x 1500	x 3000	36,5
8	x 1500	x 3000	97,2

Sheets AlSi1MgMn EN AW-6082 T6

S	B	L	kg
2	x 1000	x 2000	10,8
3	x 1000	x 2000	16,2

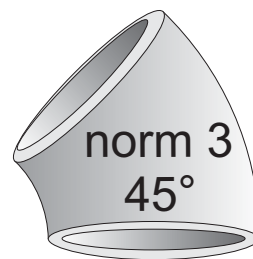
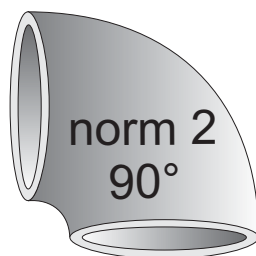
Sheets anodised A6C0 EN AW-5005 (AlMg1)

S	B	L	kg
2	x 1000	x 2000	10,8
2	x 1250	x 2500	16,9
2	x 1500	x 3000	24,3

S	B	L	kg
2	x 1000	x 2000	12,5
3	x 1000	x 2000	18,0
4	x 1000	x 2000	23,4
5	x 1000	x 2000	28,8
8	x 1000	x 2000	45,0
2	x 1250	x 2500	19,7
3	x 1250	x 2500	28,0
4	x 1250	x 2500	36,5
5	x 1250	x 2500	45,0
8	x 1250	x 2500	69,0
2	x 1500	x 3000	28,4
3	x 1500	x 3000	40,0
4	x 1500	x 3000	52,6
5	x 1500	x 3000	65,0

Elbows

Elbows 90° short radius		
AlMgSi0,5 (6060)	60 x 3,0	
AlMgSi0,5 (6060)	60 x 5,0	
AlMgSi0,5 (6060)	76 x 3,0	
AlMgSi0,5 (6060)	86 x 5,0	
AlMgSi0,5 (6060)	89 x 2,5	
AlMgSi0,5 (6060)	89 x 3,0	
AlMgSi0,5 (6060)	90 x 5,0	
AlMgSi0,5 (6060)	100 x 3,0	
AlMgSi0,5 (6060)	108 x 4,0	
AlMgSi0,5 (6060)	110 x 5,0	
AlMgSi0,5 (6060)	114 x 4,0	
AlMgSi0,5 (6060)	160 x 5,0	



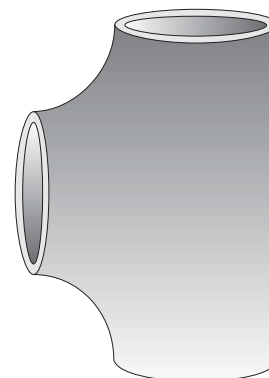
Elbows 45° long radius	
AlMgSi0,5 (6060)	50 x 3,0

Elbows 90° long radius		
AlMgSi0,5 (6060)	25 x 3,0	
AlMgSi0,5 (6060)	30 x 3,0	
AlMgSi0,5 (6060)	35 x 2,5	
AlMgSi0,5 (6060)	40 x 3,0	
AlMgSi0,5 (6060)	42 x 3,0	
AlMgSi0,5 (6060)	45 x 3,0	
AlMgSi0,5 (6060)	48 x 4,0	
AlMgSi0,5 (6060)	50 x 3,0	
AlMg3 (5754)	50 x 3,0	
AlMgSi0,5 (6060)	50 x 5,0	
AlMgSi0,5 (6060)	56 x 3,0	
AlMgSi0,5 (6060)	60 x 3,0	
AlMg3 (5754)	60 x 3,0	
AlMgSi0,5 (6060)	60 x 5,0	
AlMg3 (5754)	60 x 5,0	
AlMgSi0,5 (6060)	71 x 3,0	
AlMgSi0,5 (6060)	75 x 5,0	
AlMgSi0,5 (6060)	76 x 3,0	
AlMg3 (5754)	76 x 5,0	
AlMgSi0,5 (6060)	80 x 3,0	
AlMgSi0,5 (6060)	80 x 5,0	
AlMgSi0,5 (6060)	84 x 3,0	
AlMgSi0,5 (6060)	86 x 3,0	
AlMgSi0,5 (6060)	89 x 3,0	
AlMgSi0,5 (6060)	90 x 4,0	
AlMgSi0,5 (6060)	90 x 5,0	
AlMg3 (5754)	90 x 5,0	
AlMgSi0,5 (6060)	100 x 3,0	
AlMgSi0,5 (6060)	106 x 3,0	
AlMgSi0,5 (6060)	108 x 3,0	
AlMgSi0,5 (6060)	108 x 4,0	
AlMgSi0,5 (6060)	110 x 3,0	
AlMgSi0,5 (6060)	110 x 5,0	
AlMg3 (5754)	110 x 5,0	
AlMgSi0,5 (6060)	114 x 3,0	
AlMg3 (5754)	114 x 3,0	
AlMgSi0,5 (6060)	114 x 5,0	
AlMgSi0,5 (6060)	133 x 4,0	
AlMg3 (5754)	133 x 4,0	
Al 99,5 (1050)	159 x 4,5	
AlMgSi0,5 (6060)	160 x 4,0	
AlMgSi0,5 (6060)	160 x 5,0	
AlMgSi0,5 (6060)	168,3 x 3,4	



Elbows 180° long radius	
AlMgSi0,5 (6060)	60 x 5,0
AlMgSi0,5 (6060)	80 x 3,0
AlMgSi0,5 (6060)	90 x 5,0

Made in Austria



Equal Tees

Equal Tees pressed		
AlMgSi0,5 (6060)	33,7 x 33,7 x 3,2	
AlMgSi0,5 (6060)	60 x 60 x 3,0	
AlMgSi0,5 (6060)	60 x 60 x 5,0	
AlMgSi0,5 (6060)	76 x 76 x 3,0	
AlMgSi0,5 (6060)	89 x 89 x 4,0	
AlMgSi0,5 (6060)	100 x 100 x 3,0	
AlMgSi0,5 (6060)	108 x 108 x 4,0	
AlMgSi0,5 (6060)	114 x 114 x 5,0	
AlMgSi0,5 (6060)	133 x 133 x 4,0	

Equal Tees 5083		
AlMg4,5Mn0,7 (5083)	33,4 x 33,4 x 3,38	
AlMg4,5Mn0,7 (5083)	60,3 x 60,3 x 3,90	
AlMg4,5Mn0,7 (5083)	114,3 x 114,3 x 6,02	

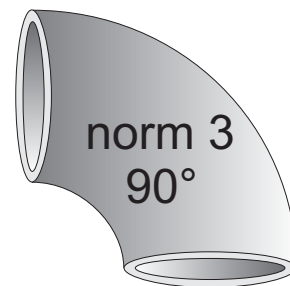
Equal Tees 5083 reduced		
AlMg4,5Mn0,7 (5083)	33,4 x 21,3 x 3,38/2,77	
AlMg4,5Mn0,7 (5083)	60,3 x 26,7 x 3,91/2,87	
AlMg4,5Mn0,7 (5083)	60,3 x 33,4 x 3,91/3,38	
AlMg4,5Mn0,7 (5083)	114,3 x 48,3 x 6,02/3,68	
AlMg4,5Mn0,7 (5083)	114,3 x 60,3 x 6,02/3,91	

This is the STOCKLIST. Subject prior sale.
 Other dimensions on request.

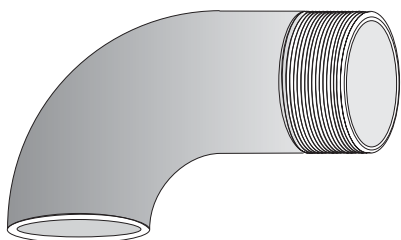
Elbows EN-AW 5083 AlMg4,5Mn0,7

5083

Elbows 90° long radius	
AlMg4,5Mn0,7	21,3 x 2,77
AlMg4,5Mn0,7	26,7 x 2,87
AlMg4,5Mn0,7	33,4 x 3,38
AlMg4,5Mn0,7	48,3 x 3,68
AlMg4,5Mn0,7	60,3 x 3,91
AlMg4,5Mn0,7	60,3 x 5,54
AlMg4,5Mn0,7	73,0 x 5,16
AlMg4,5Mn0,7	73,0 x 7,01
AlMg4,5Mn0,7	88,9 x 5,49
AlMg4,5Mn0,7	88,9 x 7,62
AlMg4,5Mn0,7	114,3 x 6,02



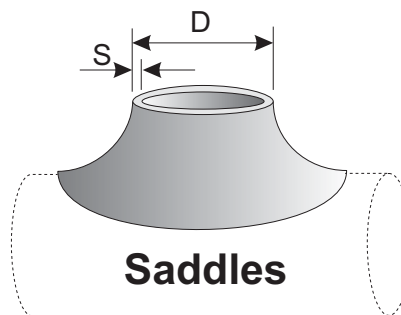
Elbows 90° Norm 3 with thread



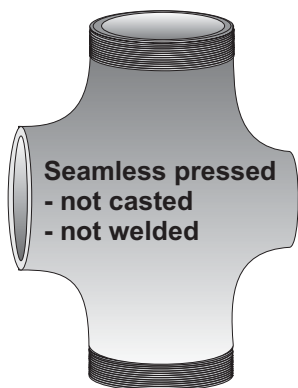
AlMgSi0,5	6060	60 x 5	2"
AlMgSi0,5	6060	89 x 5	3"

Elbows with radius

AlMgSi0,5	6060	40 x 2	Radius 45,0 mm
AlMgSi0,5	6060	90 x 5	Radius 82,5 mm
AlMgSi0,5	6060	100 x 2	Radius 133,5 mm



Reducing outlet cross with thread 4"

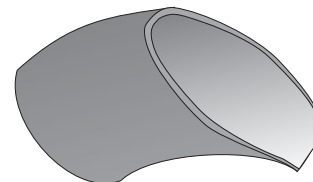


D	x	S	
60	x	5	AlMg3 (5754)
76	x	3	AlMg3 (5754)
89	x	4	AlMgSi0,5 (6060)
108	x	4	AlMgSi0,5 (6060)
133	x	4	AlMg3 (5754)

114,3/114,3	x	60,3/76,1	x	6 mm
-------------	---	-----------	---	------

This is the STOCKLIST. Subject prior sale.
 Other dimensions on request.

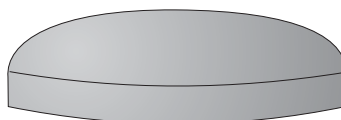
Shoe



108	x	4	AlMgSi0,5 (6060)
-----	---	---	------------------

Alloy: EN AW-6060 (AlMgSi 0,5)

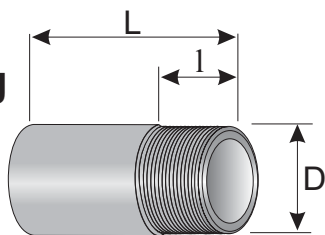
Caps



88,9	x	3,0 mm	AlMg3
108,0	x	4,0 mm	AlMg3
159,0	x	3,0 mm	AlMg5
400,0	x	4,6 mm	AlMg3

Made in Austria

Welding Nipples

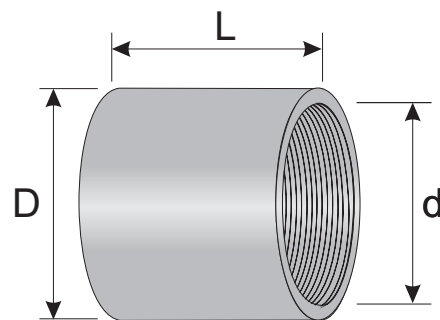


D	L	l
1/4 "	50 mm	20 mm
3/8 "	50 mm	20 mm
1/2 "	50 mm	20 mm
3/4 "	50 mm	20 mm
1 "	60 mm	25 mm
1 1/4 "	65 mm	25 mm
1 1/2 "	45 mm	25 mm
1 1/2 "	75 mm	30 mm
1 1/2 "	100 mm	30 mm
2 "	40 mm	25 mm
2 "	45 mm	25 mm
2 "	50 mm	25 mm
2 "	60 mm	25 mm
2 "	75 mm	30 mm
2 "	150 mm	30 mm
2 "	190 mm	30 mm
2 1/2 "	45 mm	25 mm
2 1/2 "	60 mm	25 mm
2 1/2 "	90 mm	30 mm
2 1/2 "	90 mm	35 mm
2 1/2 "	150 mm	35 mm
3 "	45 mm	25 mm
3 " extra	50 mm	25 mm
3 "	60 mm	25 mm
3 "	100 mm	35 mm
3 "	180 mm	35 mm
4 "	45 mm	25 mm
4 " extra	50 mm	25 mm
4 "	60 mm	25 mm
4 "	100 mm	30 mm
4 "	100 mm	45 mm

Alloy:
 EN AW-6060 T66
 (AlMgSi 0,5 F22)

larger dimensions available on request

Welding Sockets



d	L	D
1/8 "	20 mm	15 mm
1/4 "	25 mm	20 mm
1/4 " extra	25 mm	25 mm
3/8 "	30 mm	25 mm
3/8 " extra	25 mm	30 mm
3/8 " extra	30 mm	28 mm
1/2 "	35 mm	28 mm
1/2 " extra	35 mm	35 mm
1/2 "	45 mm	28 mm
1/2 "	50 mm	28 mm
3/4 "	40 mm	35 mm
3/4 " extra	30 mm	45 mm
1 "	45 mm	40 mm
1 " extra	35 mm	50 mm
1 1/4 "	30 mm	50 mm
1 1/4 "	50 mm	50 mm
1 1/4 " extra	50 mm	60 mm
1 1/2 "	30 mm	60 mm
1 1/2 "	55 mm	55 mm
1 1/2 "	60 mm	60 mm
2 "	30 mm	70 mm
2 "	60 mm	70 mm
2 1/2 "	70 mm	90 mm
3 "	75 mm	100 mm
4 "	90 mm	130 mm

Welding Sockets

EN AW-5754 (AlMg3)		
d	L	D
1 1/2 "	60 mm	55 mm

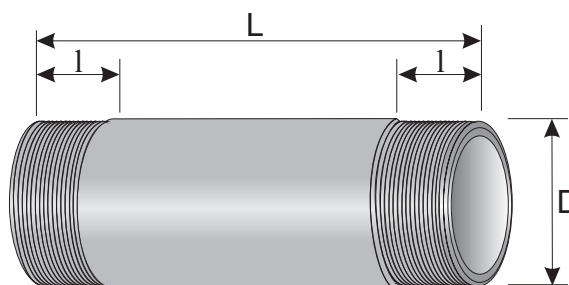
EN AW-5754 (AlMg3)		
D	L	l
2 "	60 mm	25 mm
3 "	60 mm	25 mm
4 "	130 mm	35 mm

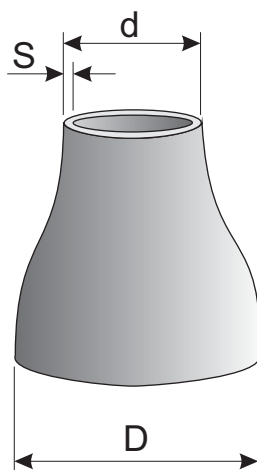
EN AW-6005 (AlSiMg)		
D	L	l
6 "	150 mm	35 mm

Double- thread Nipples

D	L	l
1 1/2 "	100 mm	2x 25 mm
2 "	80 mm	2x 25 mm
2 "	160 mm	2x 30 mm
3 "	80 mm	2x 25 mm
4 "	100 mm	2x 25 mm
4 "	520 mm	2x 30 mm

Made in Austria



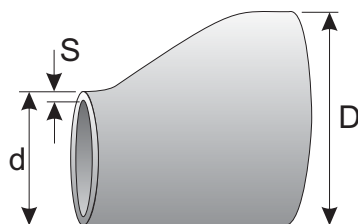


Concentric REDUCERS 6060 and 5754

D x	d x	S		
60,0 x	33,7 x	3	AlMg3	(5754)
60,0 x	42,0 x	5	AlMgSi0,5	(6060)
76,0 x	42,0 x	3	AlMgSi0,5	(6060)
89,0 x	60,0 x	3	AlMgSi0,5	(6060)
89 (90) x	60,0 x	5	AlMgSi0,5	(6060)
89,0 x	76,0 x	3	AlMgSi0,5	(6060)
106,0 x	86,0 x	3	AlMgSi0,5	(6060)
108,0 x	60,0 x	5	AlMgSi0,5	(6060)
108,0 x	76,0 x	4	AlMgSi0,5	(6060)
108,0 x	89,0 x	3	AlMgSi0,5	(6060)
108,0 x	89,0 x	4	AlMgSi0,5	(6060)
108,0 x	89,0 x	5	AlMgSi0,5	(6060)
114,3 x	89,0 x	3	AlMgSi0,5	(6060)
133,0 x	108,0 x	(4) 5	AlMgSi0,5	(6060)
159,0 x	108,0 x	5	AlMgSi0,5	(6060)

Concentric REDUCERS 5083

D x	d x	S		
33,40 x	21,30 x	3,38/2,77	AlMg4,5Mn0,7	(5083)
33,40 x	26,70 x	3,38/2,87	AlMg4,5Mn0,7	(5083)
60,30 x	33,40 x	3,91/3,38	AlMg4,5Mn0,7	(5083)
60,30 x	42,20 x	3,91/3,56	AlMg4,5Mn0,7	(5083)
60,30 x	48,30 x	3,91/3,68	AlMg4,5Mn0,7	(5083)
114,00 x	88,00 x	6,00	AlMg4,5Mn0,7	(5083)
114,30 x	60,30 x	6,02/3,91	AlMg4,5Mn0,7	(5083)
114,30 x	73,03 x	6,02/5,16	AlMg4,5Mn0,7	(5083)
114,30 x	88,90 x	6,02/5,49	AlMg4,5Mn0,7	(5083)

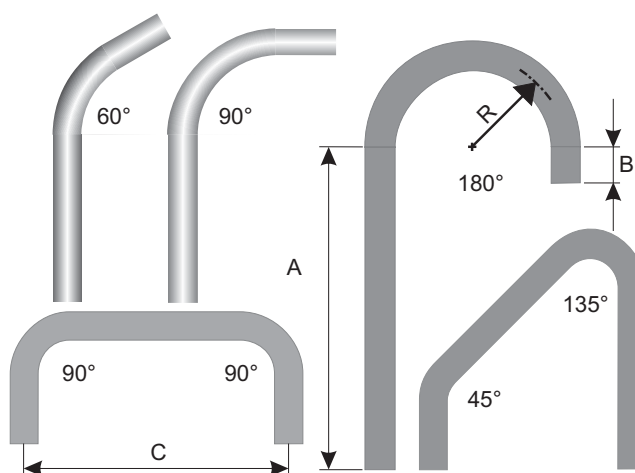
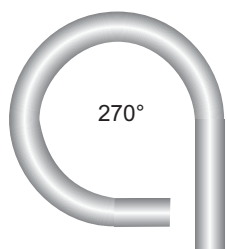


Eccentric REDUCERS 6060

D x	d x	S		
76 x	56 x	3	AlMgSi0,5	(6060)
89 x	60 x	5	AlMgSi0,5	(6060)
89 x	76 x	3	AlMgSi0,5	(6060)
108 x	89 x	4	AlMgSi0,5	(6060)
108 x	89 x	5	AlMgSi0,5	(6060)
133 x	108 x	3	AlMgSi0,5	(6060)
133 x	108 x	4	AlMgSi0,5	(6060)
159 x	108 x	4	AlMgSi0,5	(6060)

Eccentric REDUCERS 5083

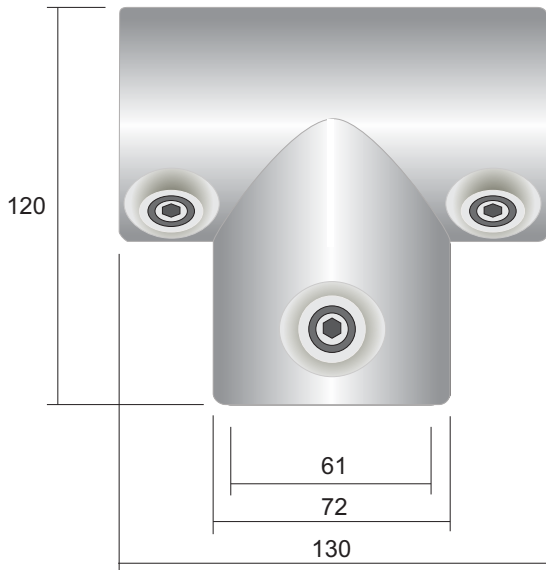
D x	d x	S		
33,40 x	21,30 x	3,38/2,77	AlMg4,5Mn0,7	(5083)
33,40 x	26,70 x	3,38/2,87	AlMg4,5Mn0,7	(5083)
60,30 x	33,40 x	3,91/3,38	AlMg4,5Mn0,7	(5083)
60,30 x	42,20 x	3,91/3,56	AlMg4,5Mn0,7	(5083)
60,30 x	48,30 x	3,91/3,68	AlMg4,5Mn0,7	(5083)
114,30 x	60,30 x	6,02/3,91	AlMg4,5Mn0,7	(5083)
114,30 x	73,03 x	6,02/5,16	AlMg4,5Mn0,7	(5083)
114,30 x	88,90 x	6,02/5,49	AlMg4,5Mn0,7	(5083)



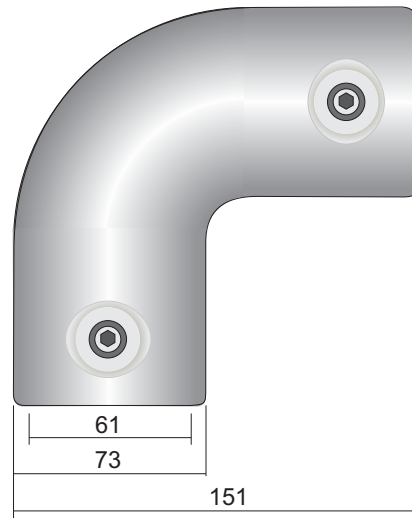
Round tubes bended in accordance to customers drawing

Please send your inquiry

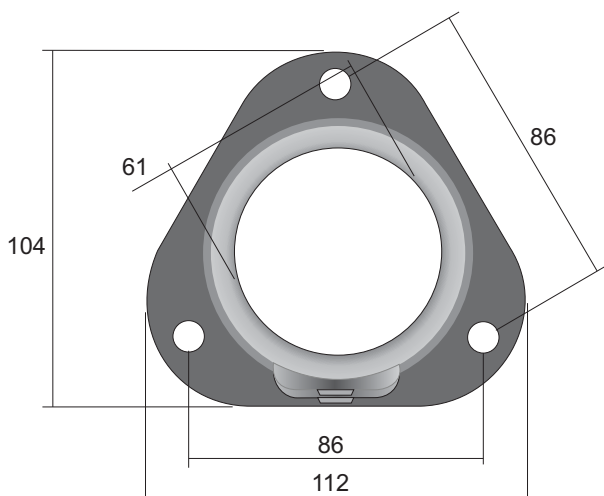
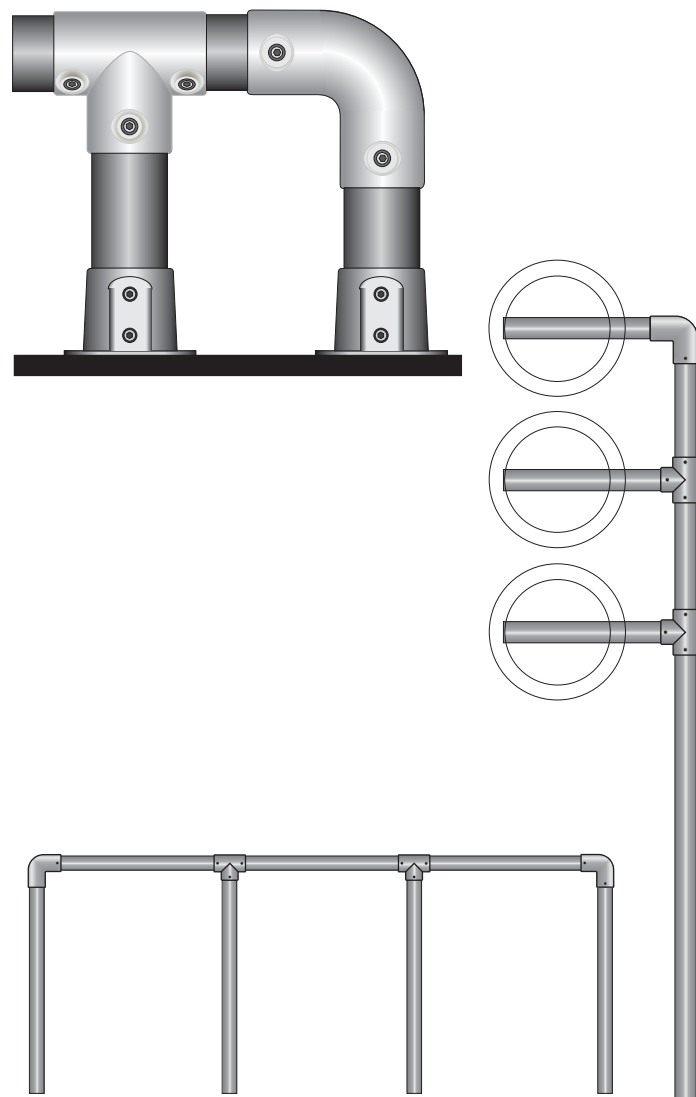
Aluminium cast tube connections



**Tube connections
to screw, aluminium**
T-connection for round tube OD 60 mm

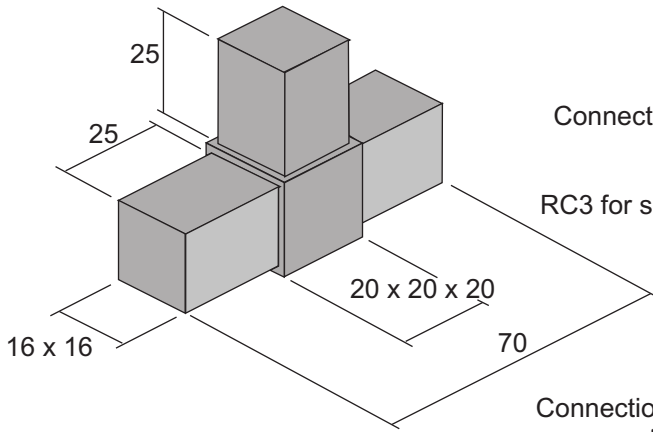


**Tube connections 90°
to screw, aluminium**
elbow for round tube OD 60 mm

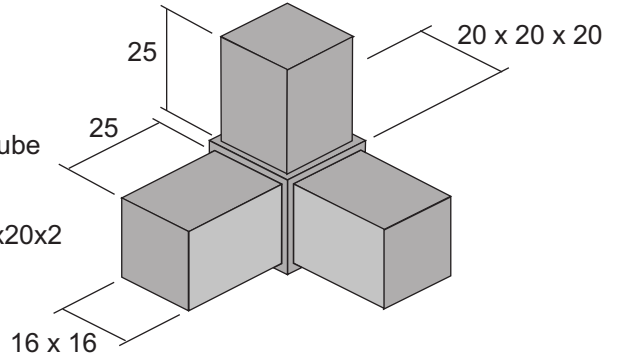


**Ground plate
to screw, aluminium**
for round tubes OD 60 mm

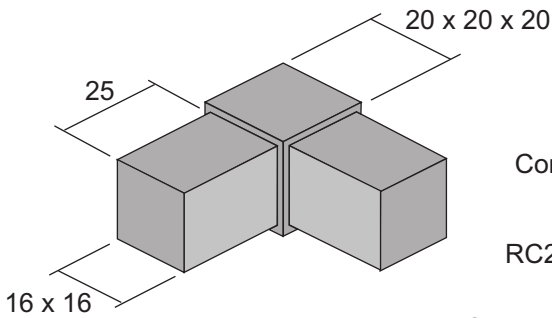
Aluminium cast corner connections for square tubes 20x20 mm



RC3
 Connection for square tube
 to insert
 aluminium
 RC3 for square tube 20x20x2



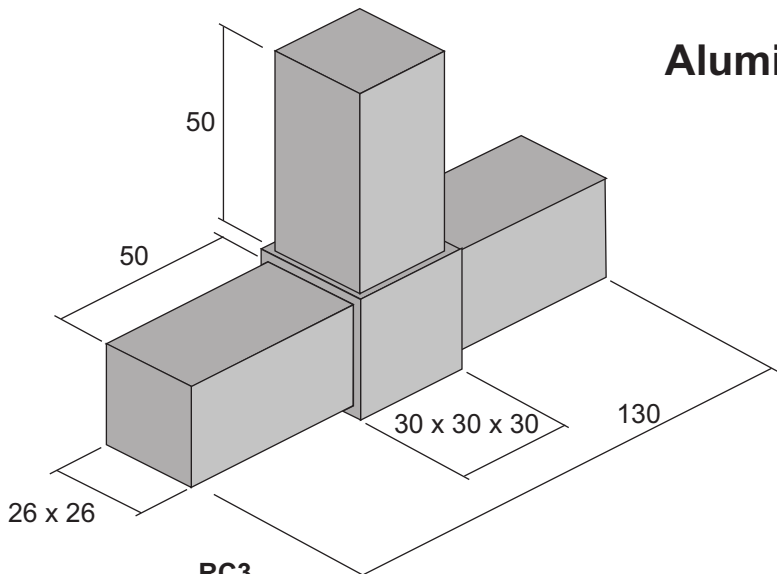
RC3A
 Connection for square tube
 to insert
 aluminium
 RC3A for square tube 20x20x2



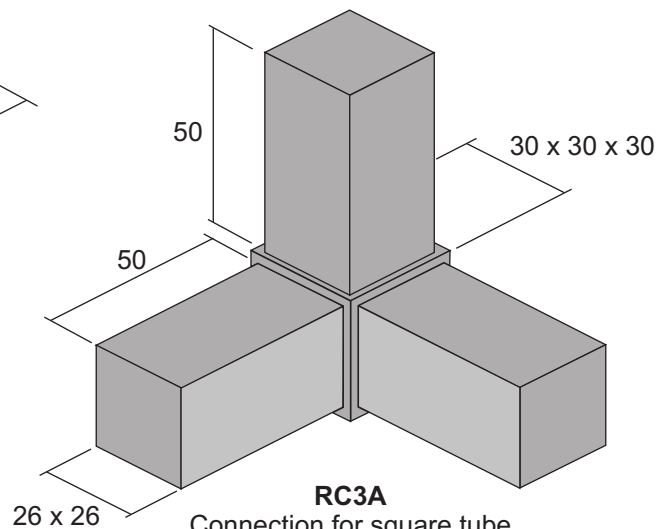
RC2
 Connection for square tube
 to insert
 aluminium
 RC2 for square tube 20x20x2

**Usage for simple frames e.g. fair booths, stands,
 cages, aviaries, terrariums, greenhouses or hotbeds**

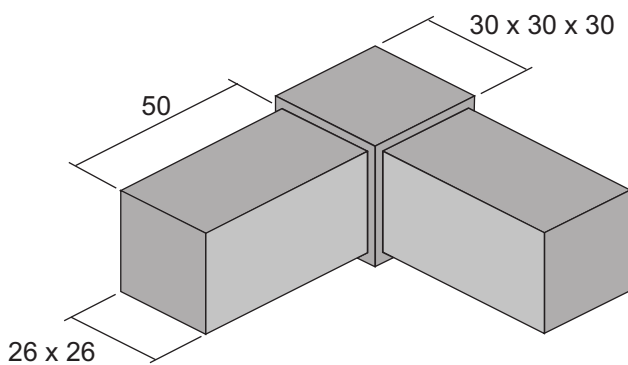
Aluminium cast corner connections for square tubes 30x30 mm



RC3
 Connection for square tube
 to insert
 aluminium
 RC3 for square tube 30x30x2



RC3A
 Connection for square tube
 to insert
 aluminium
 RC3A for square tube 30x30x2



RC2
 Connection for square tube
 to insert
 aluminium
 RC2 for square tube 30x30x2

This is the STOCKLIST. Subject prior sale.
 Other dimensions on request.



Hose Coupling



System STORZ
 LIGHT METAL




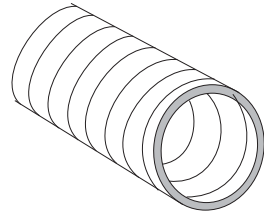
Adapter with female thread

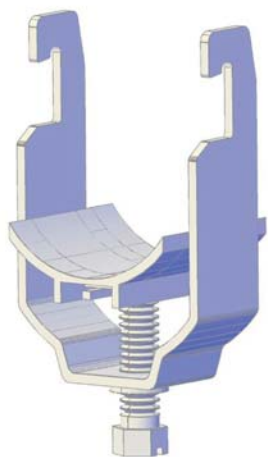


Adapter with male thread



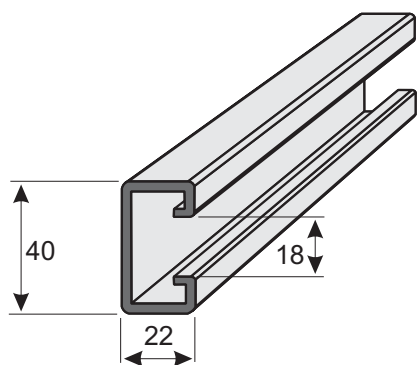
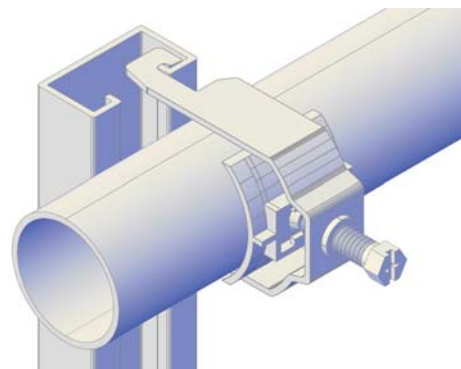
Caps

<p>Hose coupling</p> <ul style="list-style-type: none"> A - clearance 100 mm B - clearance 60 mm B - clearance 75 mm C - clearance 40 mm C - clearance 45 mm C - clearance 50 mm C - clearance 52 mm C - Ø 50 mm (with security collar) 	<p>Adapter</p> <ul style="list-style-type: none"> A - 4 " female thread B - 2 ½ " female thread B - 3 " female thread C - 2 " female thread
<p>Caps</p> <ul style="list-style-type: none"> A DIN 14313 B DIN 14312 C DIN 14311 	<p>Tube connecting piece for adapter fits on tube OD 40, 45, 50 and 60</p> 
<p>Hose with steel spiral</p>  <p>clearance</p> <ul style="list-style-type: none"> 20 mm 38 mm 40 mm 45 mm 50 mm 60 mm 70 mm 100 mm 	<p>Coupling spanner with plastic handle DIN 14822</p> <hr/> <p>Reducer Storz/Storz DIN 14343 A/B</p>



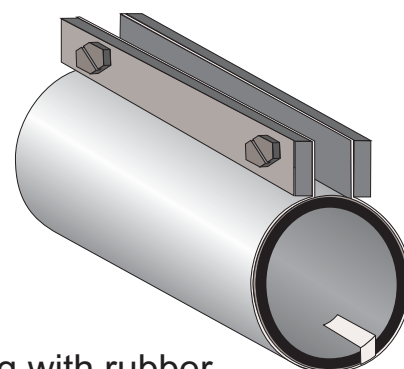
Clamps for tube galvanized iron

- Size:
- 34 - 40
 - 40 - 46
 - 46 - 52
 - 50 - 54
 - 52 - 58
 - 58 - 64
 - 34 - 40 double
 - 46 - 52 double

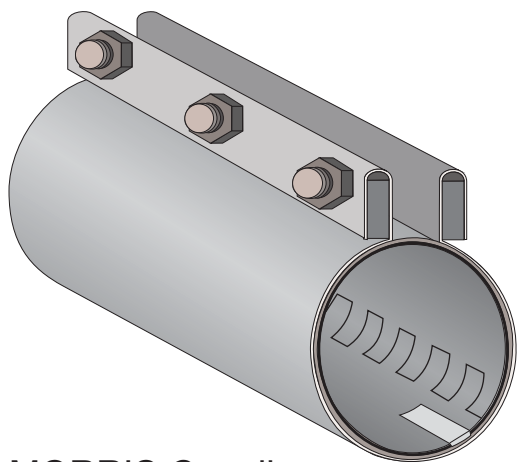


C-Profile for wall fixture

- 40 x 22
- A8 perforated
- Hole 18 mm
- galvanized iron
- Length 6 m or Length 2 m

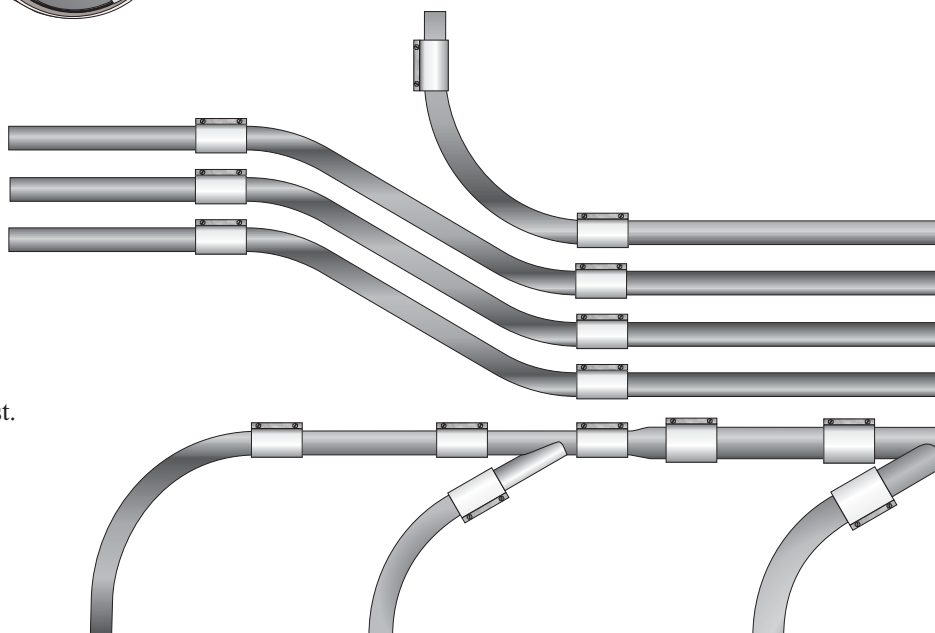


- Coupling with rubber
 2 or 3 screws M8
 Coat 1.4016 or aluminium
 rubber EPDM
 with earth wire
 L= 100 to 200 mm



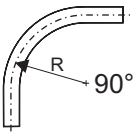
available for tubes OD 38 mm to 154 mm
 (on request available with red and white rubber-sealing)

MORRIS Coupling
 galvanized iron
 white rubber
 (on request)



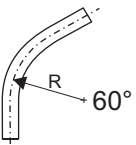
This is the STOCKLIST.
 Subject prior sale.
 Other dimensions on request.

Aluminium EN AW-6060 T66 (AlMgSi)



Elbow 90° side lengthening

15 x 1,5 mm	R= 60 mm	SV 2 x 30 mm
20 x 1 mm	R=100 mm	SV 2 x 60 mm
32 x 1,5 mm	R=100 mm	SV 2 x 100 mm
35 x 3 mm	R= 80 mm	SV 2 x 80 mm
35 x 3 mm	R= 80 mm	SV 2 x 30 mm
35 x 3 mm	R= 80 mm	SV 2 x 250 mm
50 x 2 mm	R=250 mm	SV 2 x 70 mm
50 x 2 mm	R=250 mm	SV 2 x 200 mm
50 x 2 mm	R=300 mm	SV 2 x 200 mm
50 x 2 mm	R=500 mm	SV 2 x 100 mm
60 x 2 mm	R=500 mm	SV 2 x 200 mm
90 x 3 mm	R=250mm	SV 2 x 200 mm

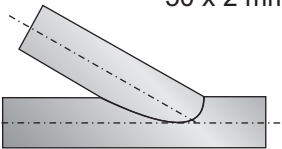


Elbow 60° side lengthening

45 x 2 mm	R=300 mm	SV 2 x 150 mm
-----------	----------	---------------

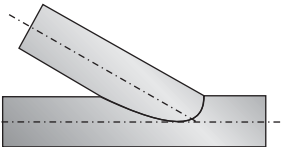
Elbow 45° side lengthening

50 x 2 mm	R=250 mm	SV 2 x 200 mm
50 x 2 mm	R=300 mm	SV 2 x 200 mm
50 x 2 mm	R=500 mm	SV 2 x 200 mm



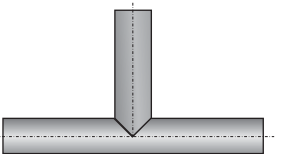
30° piece Junction

50 x 2,0 mm



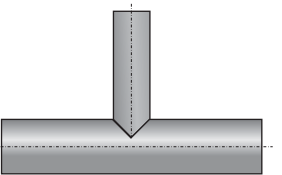
45° piece Junction

40 x 1,5 mm



Equal Tee

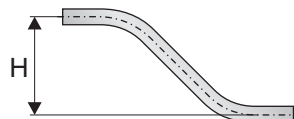
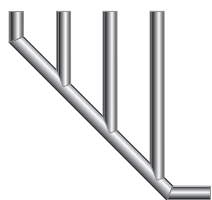
40 x 1,5 mm	200/100
60 x 3,0 mm	200/90
60 x 2,0 mm	250/100
70 x 2,0 mm	200/100



Reduced Tee

60/45 x 3 mm 200/90

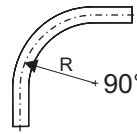
Tiered elbow according to drawing



Other dimension and special productions available on request

Elbows of glass on request available

Stainless steel 1.4301



Elbow 90° side lengthening

38 x 1,5 mm	R=500 mm	SV 2 x 200 mm
40 x 1,5 mm	R=250 mm	SV 2 x 150 mm
40 x 1,5 mm	R=400 mm	SV 2 x 150 mm
40 x 1,5 mm	R=500 mm	SV 2 x 200 mm
44,5 x 2 mm	R=115 mm	SV 2 x 150 mm
44,5 x 2 mm	R=150 mm	SV 2 x 150 mm
44,5 x 2 mm	R=300 mm	SV 2 x 120 mm
44,5 x 2 mm	R=300 mm	SV 150 + 300
44,5 x 2 mm	R=300 mm	SV 2 x 150 mm
45 x 1,5 mm	R=500 mm	SV 2 x 200 mm
45 x 2 mm	R=100 mm	SV 2 x 150 mm
45 x 2 mm	R=300 mm	SV 2 x 200 mm
50 x 2 mm	R=250 mm	SV 2 x 200 mm
50 x 2 mm	R=300 mm	SV 2 x 200 mm
50 x 2 mm	R=500 mm	SV 2 x 200 mm
60 x 2 mm	R=500 mm	SV 2 x 200 mm
60,3 x 2mm	R=300 mm	SV 2 x 200 mm
76,1x2 mm	R=500 mm	SV 2 x 200 mm

Elbow 45° side lengthening

40 x 1,5 mm	R=400 mm	SV 2 x 120 mm
44,5 x 2 mm	R=300 mm	SV 150 + 350
44,5 x 2 mm	R=300 mm	SV 2 x 200 mm
44,5 x 2 mm	R=350 mm	SV 2 x 150 mm
45 x 2 mm	R=300 mm	SV 2 x 200 mm
60,3 x 2 mm	R=300 mm	SV 2 x 200 mm
60,3 x 2 mm	R=350 mm	SV 2 x 150 mm

Elbow 30° side lengthening

44,5 x 2 mm	R=300 mm	SV 2 x 150 mm
-------------	----------	---------------



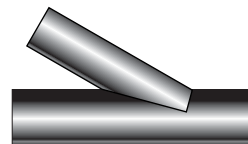
Y - piece 45°

40 x 1,5 mm



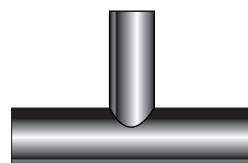
Junction piece 30°

45 x 2,0 mm
60 x 2,0 mm
70 x 2,0 mm



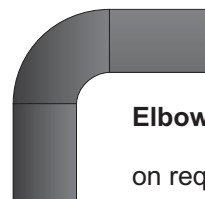
Junction Piece 30° reduced

60/45 x 2 mm



Equal Tee

40 x 1,5 mm	200/90
40 x 1,5 mm	250/125
60 x 2,0 mm	260/124



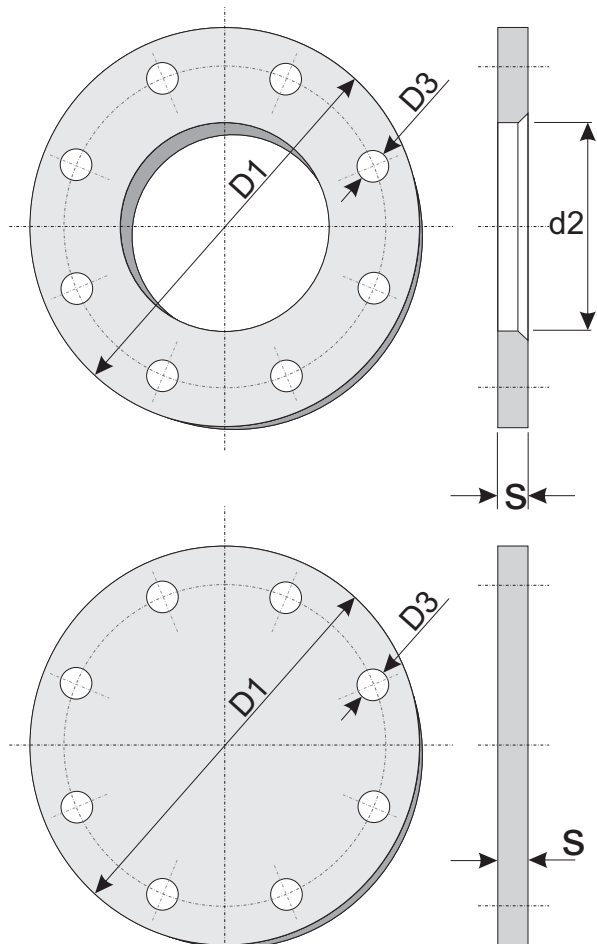
Elbow 90°

on request



Reducer

on request



Lap joint flange
DIN 2642
Gk AISi12

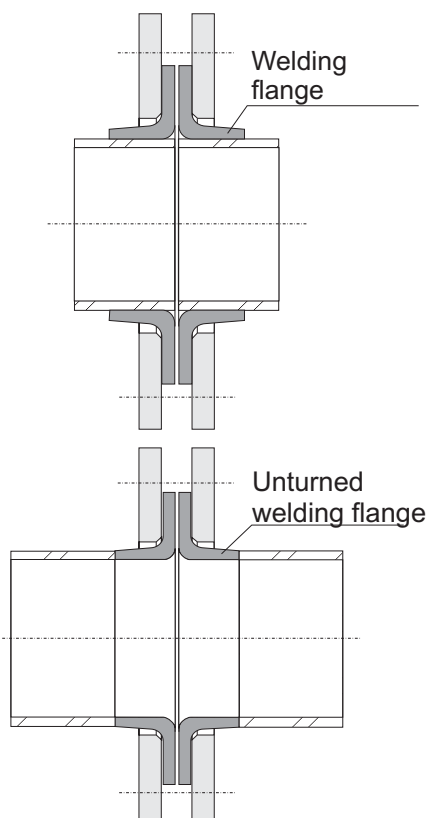
Blind flange
DIN 2527
Gk AISi12

DN	Typ A (metr.)		Typ C (ISO)		S
	D1	d2	d2	D3	
20	105	28		4 x 14	14
40			54	4 x 18	16
50	165		65	4 x 18	18
65	185	73	81	4 x 18	18
80	200	90	94	8 x 18	20
100	220	111	119	8 x 18	18
125	250	136	144	8 x 18	22
150	285	161	173	8 x 22	22
200	340	212	225	8 x 22	29
250	395	264	279	12 x 22	26
300	445	315	329	12 x 22	26
350	505	365	374	22 x 16	26

DN	D1	D3	S
25	115	4 x 15	16
32	140	4 x 18	16
40	150	4 x 18	16
65	185	4 x 18	18
80	200	8 x 18	20
100	220	8 x 18	20
125	250	8 x 18	22
200	340	8 x 22	24
250	395	12 x 22	26

Flange, Collar
AlMg3 (5754), Al99,5 (1050A)
and AlMg4,5Mn0,7 (5083)

unturnd welding flange			
DN	D	DIN 2642	
32	38 x 3	AlMg3	
40	46 x 3	AlMg3	
50	56 x 3	AlMg3	
50	60 x 3	AlMg3	
50	60 x 5	AlMg3	
65	76 x 3	AlMg3	
80	86 x 3	AlMg3	
80	90 x 5	AlMg3	
100	106 x 3	AlMg3	
100	114 x 3	AlMg3	
125	131 x 3	AlMg3	
	140 x 3	AlMg4,5Mn0,7	
150	156 x 3	AlMg3	
150	160 x 5	AlMg3	
150	168 x 4	AlMg3	
200	206 x 3	AlMg3	
200	208 x 4	AlMg3	
200	208 x 4	Al99,5	
200	219 x 4	AlMg3	
250	258 x 4	AlMg3	
300	306 x 3	AlMg3	
300	308 x 4	AlMg3	
welding flange			
DN	for tube		
250	273 x 3	AlMg3	



Tank-vehicle blind flange

DIN 28459
 EN AW-5754 (AlMg3)

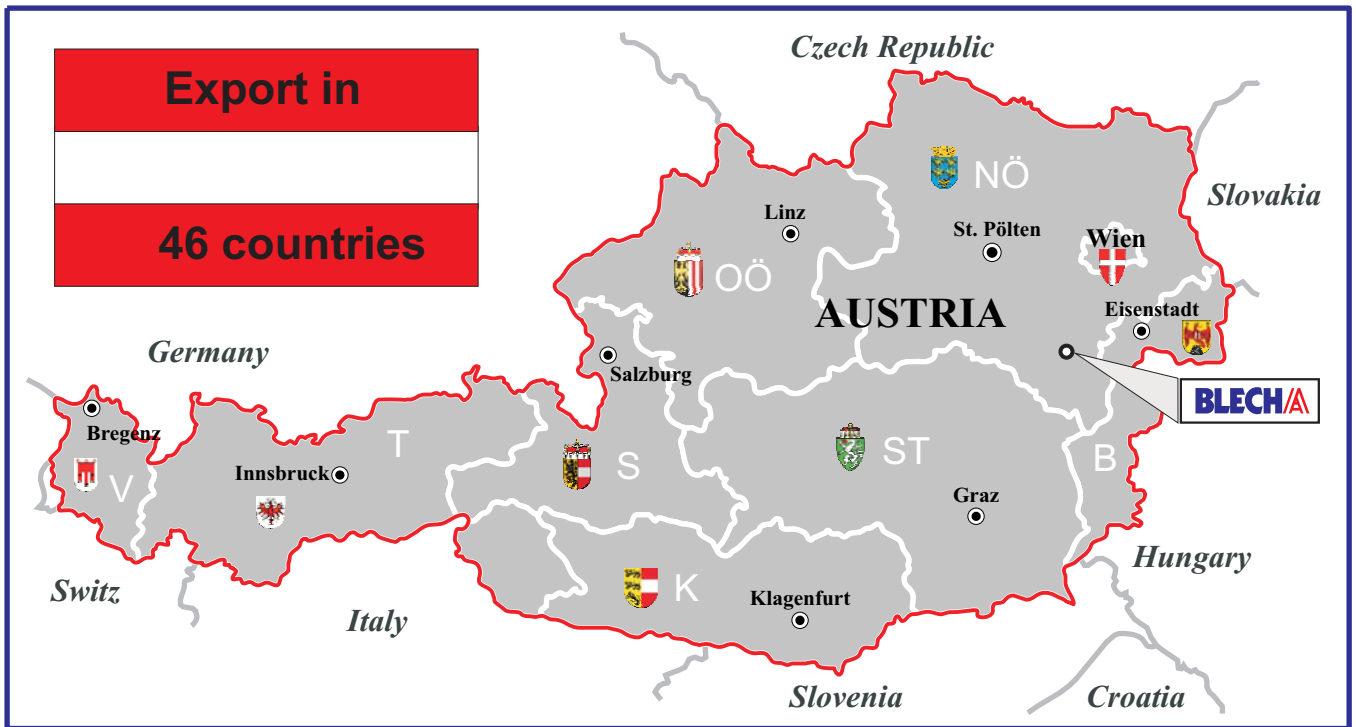
TW 1 NW 80
 TW 3 NW 100

Tank-vehicle flanges

DIN 28460
 EN AW-5754 (AlMg3)

TW 1 NW 50
 TW 1 NW 65
 TW 1 NW 80
 TW 3 NW 100
 TW 3 NW 125

Flat flange (welding flange)
 DIN 2576
 EN AW-6082, 5754 or 5083
 available on short notice



Are you looking for a certain profile?
Then use our profile – search engine on:
www.blecha.at

www.aluzaun.at

www.aluprofil.at



Tel 0043 (0)2635 68097 Fax 0043 (0)2635 68096 eMail export@blecha.at <http://www.blecha.at>
Ingrid L. BLECHA Ges.m.b.H. IMPORT-EXPORT A-2620 NEUNKIRCHEN, Triftweg 102